

19" ENCLOSURES

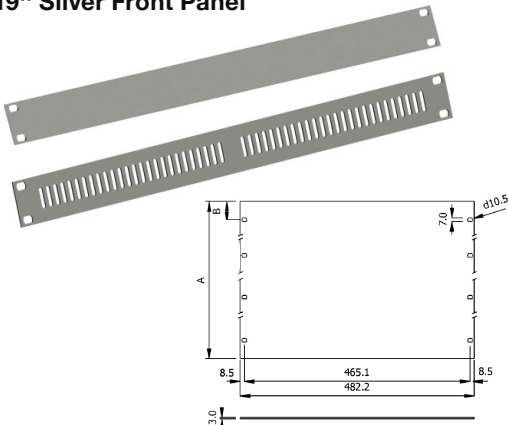
19" Desktop Enclosures

Sturdy lightweight 19" enclosures designed to accept 'full-width' 84E subracks and standard plug-in units.

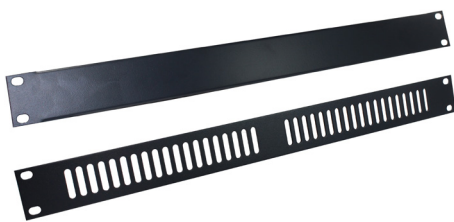
- Heights from 2U up to 9U
- Constructed in 1mm thick steel
- Supplied with front tilt-feet, rear fixed feet
- Ventilation slots in base and rear panel
- Recessed side handles for comfort and ease transport
- Supplied flat-pack, open front design
- Front options ordered separately



19" Silver Front Panel



19" Panel Anthracite



Attachment Set

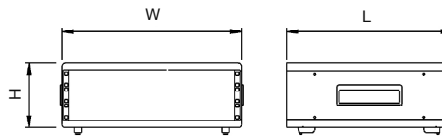


- Nickel-plated M6 x 15mm locking bolt with combi slotted/pozi head, PA washer, M6 caged nut with stainless-steel cage
- Pack of 4

SPECIFICATION

Materials	Shell 1mm thick steel Handles ABS Legs ABS
Standard colours	Shell: epoxy paint graphite grey Handles: black similar to RAL 9004 Legs: dark grey similar to RAL 7016
Standard unit includes	Top & bases covers Two side panels One rear panel Four feet 19" mounting brackets Handles Mounting hardware
Options	19" Front panels

TYPE NO.	U	WIDTH	HEIGHT	LEGTH
C19DE2330	2U	489mm	131.5mm	330mm
C19DE2450	2U	489mm	131.5mm	450mm
C19DE3330	3U	489mm	176mm	330mm
C19DE3450	3U	489mm	176mm	450mm
C19DE6330	6U	489mm	306mm	330mm
C19DE6450	6U	489mm	306mm	450mm
C19DE9450	9U	489mm	443mm	450mm



- Manufactured in aluminium, 3mm thick, clear anodised
- Vented and solid profiles

STANDARD FRONT	VENTED FRONT	U	HEIGHT	B
CAX19SPS1	CAX19VPS1	1U	43.6mm	5.9mm
CAX19SPS2	CAX19VPS2	2U	88.1mm	5.9mm
CAX19SPS3	CAX19VPS3	3U	132.5mm	37.7mm
CAX19SPS4	CAX19VPS4	4U	177.0mm	37.7mm
CAX19SPS5	CAX19VPS5	5U	221.5mm	37.7mm
CAX19SPS6	CAX19VPS6	6U	265.9mm	37.7mm
CAX19SPS9	CAX19VPS9	9U	399.2mm	37.7mm

- Manufactured in steel (RAL 7016)

STANDARD FRONT	VENTED FRONT	U	HEIGHT (MM)
CAX19SPA1	CAX19VPA1	1U	43.6mm
CAX19SPA2	CAX19VPA2	2U	88.1mm
CAX19SPA3	CAX19VPA3	3U	132.5mm
CAX19SPA4	CAX19VPA4	4U	177.0mm
CAX19SPA5	CAX19VPA5	5U	221.5mm
CAX19SPA6	CAX19VPA6	6U	265.9mm
CAX19SPA9	CAX19VPA9	9U	399.2mm

TYPE NO.	DESCRIPTION
CAX00001	Attachment set



+44 (0)1638 716101
info@camdenboss.com
www.camdenboss.com

We operate a constant improvement policy, our products are subject to change without notice. Ver 1.0 Iss 4



UNIVERSAL ENCLOSURES

HAND HELD CASES

HEAVY DUTY ENCLOSURES

DIN RAIL ENCLOSURES

INTERFACE SUPPORTS

CONTROL STATIONS

DIECAST & METAL ENCLOSURES

DESKTOP & INSTRUMENT CASES

MULTI-PURPOSE & POTTING BOXES

19" ENCLOSURES

19" CABINETS

DEVELOPMENT BOARD ENCLOSURES

CUSTOM SIZED ENCLOSURES

FSPT/CUSTOM SERVICES