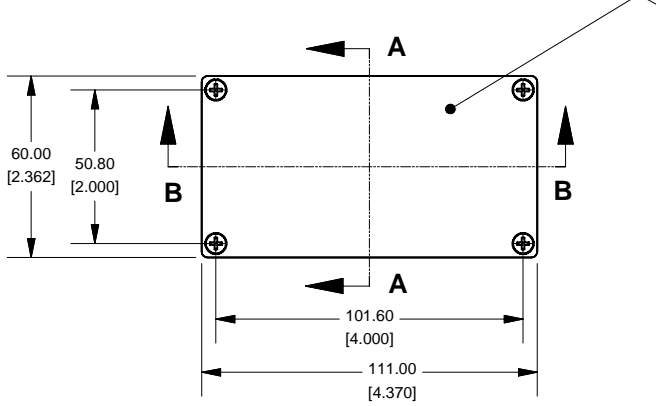
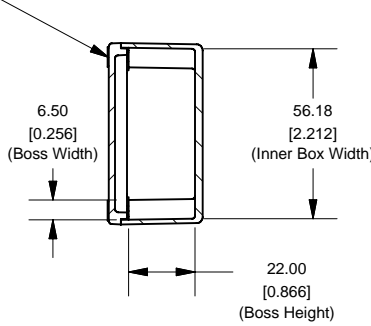


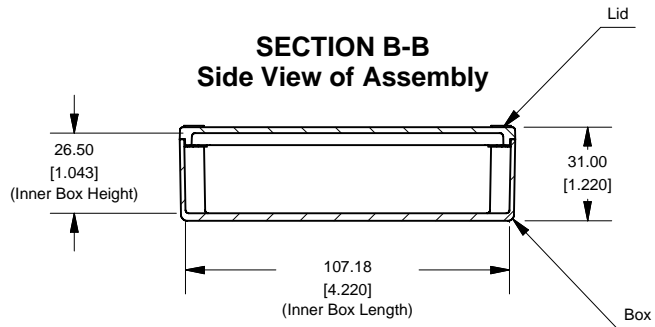
**Top View of Assembly**



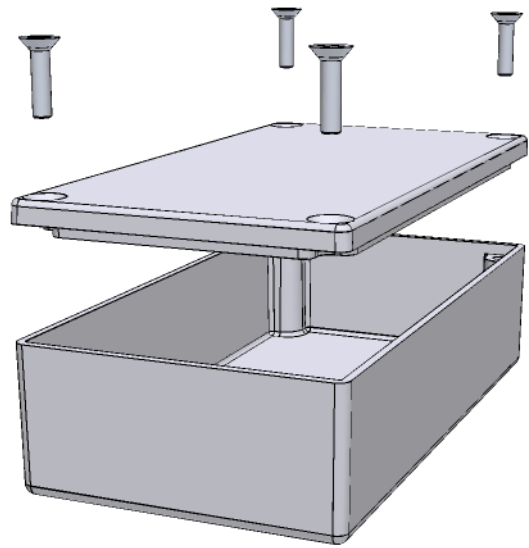
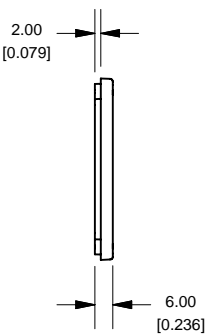
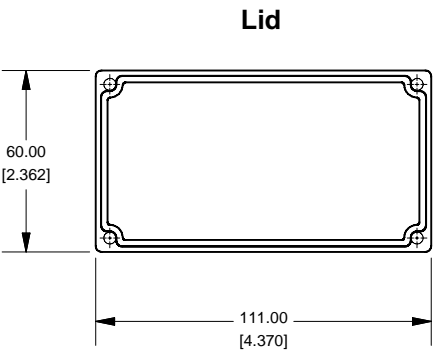
**SECTION A-A  
End View of Assembly**



**SECTION B-B  
Side View of Assembly**



**Lid**



Enclosures can be Factory Modified ( Milling, Drilling, Printing etc. )  
 Solid models of this enclosure available in STEP or IGES.  
 Contact Factory [jelkins@hammond-electronics.co.uk](mailto:jelkins@hammond-electronics.co.uk)

NOTE	
Purchased assembly includes Lid, Box and 4 cover screws.	

Eddystone 27134PSLA	
PART INFORMATION	
Part Number:	27134PSLA
Material:	LM2 / LM24 Diecast Aluminum Alloy
Cover Screw Type:	M3.5 x 10mm Countersunk (Screw Torque 75 oz f.in or 55 cN. m)



**HAMMOND  
MANUFACTURING™**

**27134PSLA**  
[www.hammondmfg.com](http://www.hammondmfg.com)