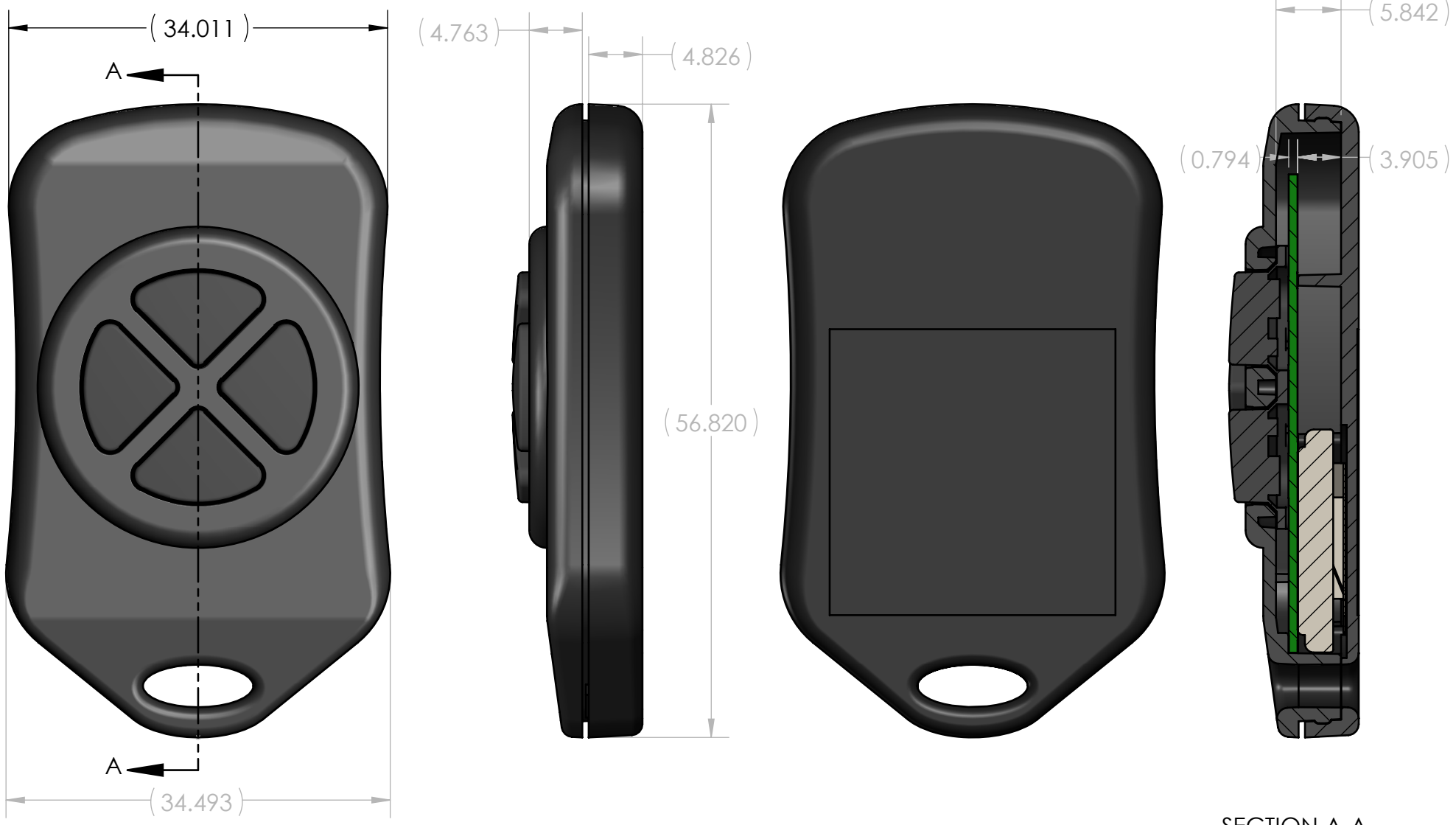


SCALE 1.5 : 1  
 2955-BATT-HDR  
 CR2032 (20mm) Retainer  
 (SOLD SEPARATELY)  
 PCB Template ref. (REF.  
 ONLY)  
 20mm COINCELL (REF. ONLY)



SECTION A-A

REV.	DESCRIPTION	ZONE	BY	APPR'D	DATE
D.03	REVISED BASE & COVER		D.M.F.		02-23-2018
D.02	REVISED COVER		D.M.F.		2/22/2018
REVISIONS					

UNLESS OTHERWISE SPECIFIED:  
 DIMENSIONS ARE IN: MILLIMETRES  
 TOLERANCES: ANGULAR: ±2°  
 TWO PLACE DECIMAL: ±.010  
 THREE PLACE DECIMAL: ±.005  
 PRINTED GRAPHICS: ±.010

PART NO. 2955-20R-4		
MATERIAL		
FLAME RATING	SIZE	KEYFOB, 4 BUTTON
-	<b>B</b>	REV
DRAWN	NAME	DATE
CHECKED	D.M.F.	1/29/2018
	-	12/31/2999



SCALE: 2:1



SHEET 1 OF 1