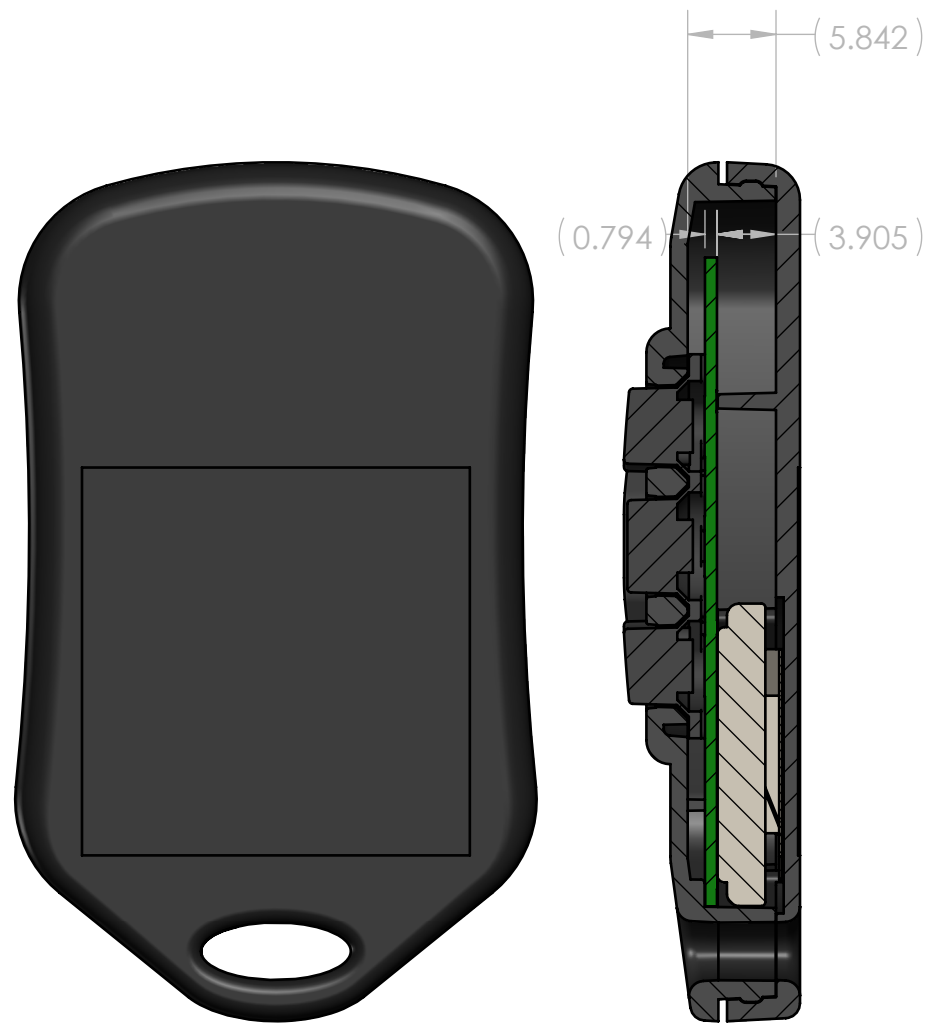


2955-BATT-HDR  
CR2032 (20mm) Retainer  
(SOLD SEPARATELY)

PCB Template ref. (REF.  
ONLY)

20mm COINCELL (REF. ONLY) SCALE 1.5 : 1



SECTION A-A

REV.	DESCRIPTION	ZONE	BY	APPR'D	DATE
D.03	REVISED BASE & COVER		D.M.F.		02-23-2018
D.02	REVISED COVER		D.M.F.		2/22/2018
REVISIONS					

UNLESS OTHERWISE SPECIFIED:  
DIMENSIONS ARE IN: MILLIMETRES  
TOLERANCES: ANGULAR: ±2°  
TWO PLACE DECIMAL: ±.010  
THREE PLACE DECIMAL: ±.005  
PRINTED GRAPHICS: ±.010

PART NO. 2955-20R-5		
MATERIAL		
FLAME RATING -	SIZE <b>B</b>	KEYFOB, 5 BUTTON
DRAWN CHECKED	NAME D.M.F.	DATE 1/29/2018 12/31/2999



SCALE: 2:1

SHEET 1 OF 1