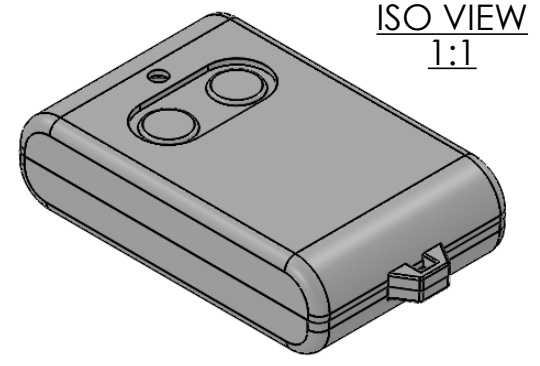
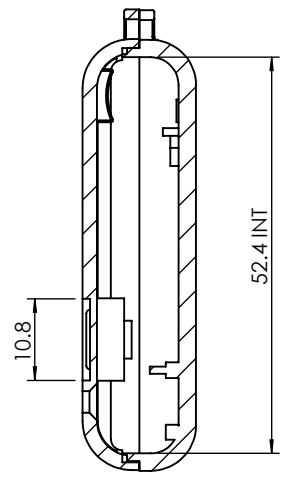
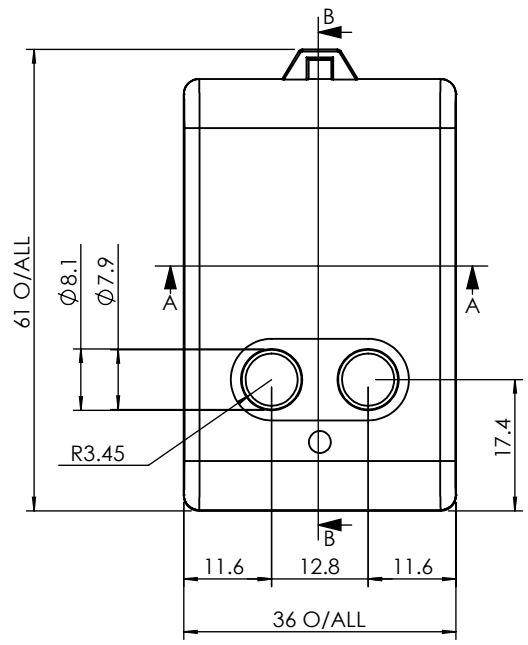
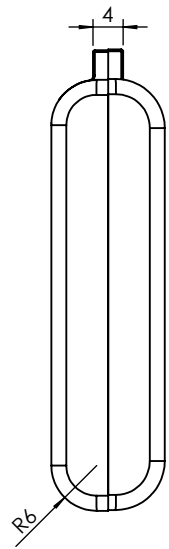


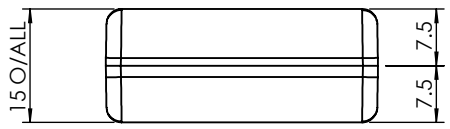
SECTION A-A




ISO VIEW
1:1



SECTION B-B



 CAMDENBOSS JAMES CARTER RD, MILDENHALL, SUFFOLK. IP28 7DE TEL: 01638 716101 FAX: 01638 716554 EMAIL: Sales@CamdenBoss.com WEB: www.CamdenBoss.com		UNLESS OTHERWISE SPECIFIED: DIMENSIONS ARE IN MILLIMETERS	DO NOT SCALE DRAWING	REVISION. <input type="checkbox"/>		
		GENERAL TOLERANCES +/- 0.2	TITLE: GENERAL DIMENSION DRAWING FOR 2957 SERIES TWO-SMALL- BUTTONS			
DRAWN	NAME	SIGNED	DATE	MATERIAL.	DWG NO.	2957-23 A4
LEWIS LETCHFORD	LL	10/04/2014	ABS	SCALE: 1:1	SHEET 1 OF 1	
CHK'D	-	-	-	PROJECTION. 