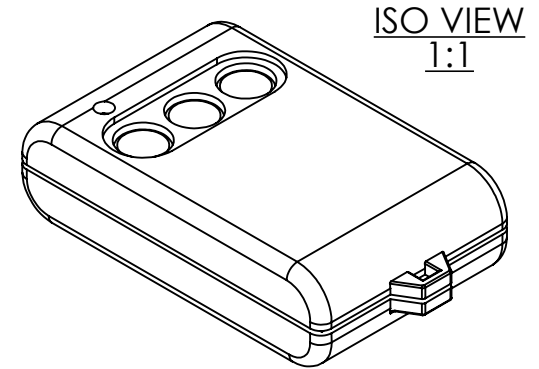
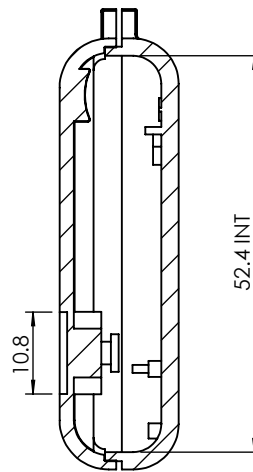
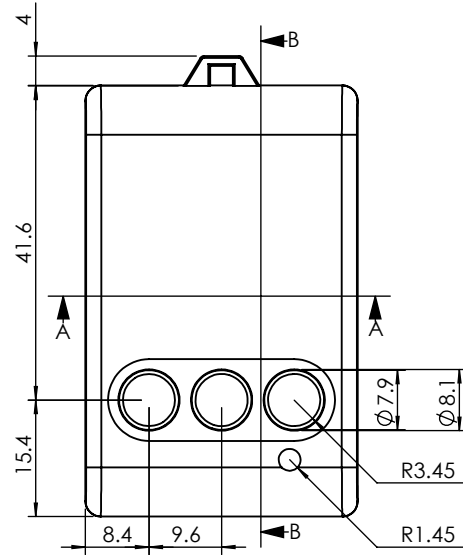
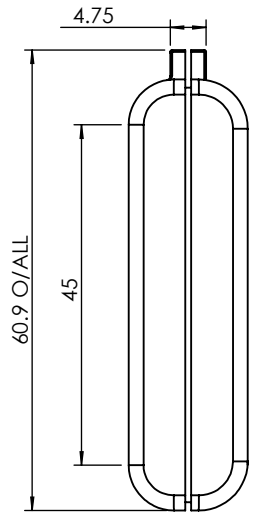


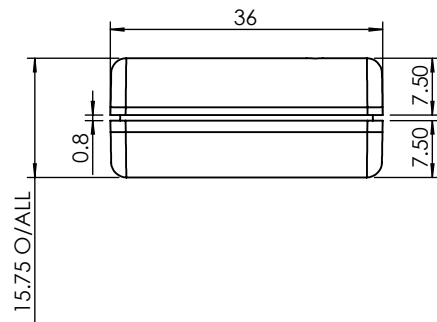
SECTION A-A





ISO VIEW
1:1



SECTION B-B



15.75 O/ALL

| | | | | |
|---|-----------------------------|--|--|---|
|  CAMDENBOSS JAMES CARTER RD, MILDENHALL, SUFFOLK. IP28 7DE TEL: 01638 716101 FAX: 01638 716554 EMAIL: Sales@CamdenBoss.com WEB: www.CamdenBoss.com | | UNLESS OTHERWISE SPECIFIED: DIMENSIONS ARE IN MILLIMETERS | DO NOT SCALE DRAWING | REVISION. <input type="checkbox"/> |
| | | GENERAL TOLERANCES +/- 0.2 | TITLE: GENERAL DIMENSION DRAWING FOR 2957 SERIES THREE-SMALL- BUTTONS | |
| | | FINISH. LIGHT SPARK | DWG NO. 2957-43 | A4 |
| DRAWN | NAME LEWIS LETCHFORD | SIGNED LL | DATE 10/04/2014 | MATERIAL. ABS |
| CHKD | - | - | - | PROJECTION.  |
| | | | SCALE: 1:1 | SHEET 1 OF 1 |