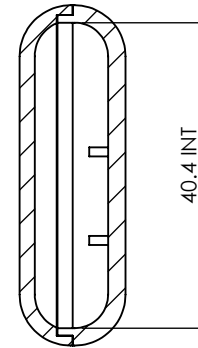
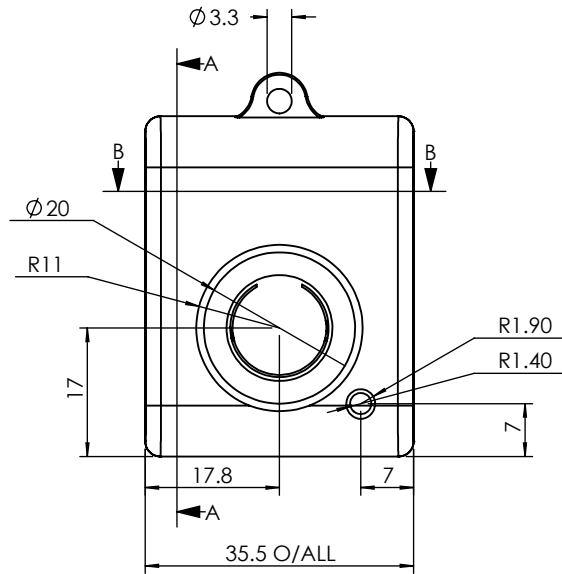
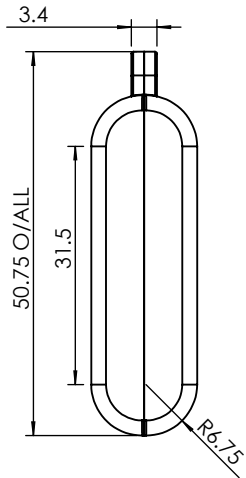
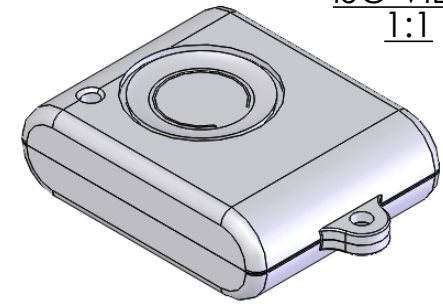
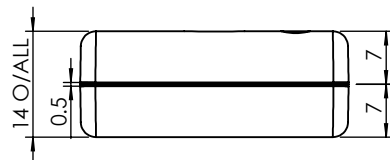



ISO VIEW
1:1



SECTION A-A



 CAMDENBOSS JAMES CARTER RD, MILDENHALL, SUFFOLK. IP28 7DE TEL: 01638 716101 FAX: 01638 716554 EMAIL: Sales@CamdenBoss.com WEB: www.CamdenBoss.com		UNLESS OTHERWISE SPECIFIED: DIMENSIONS ARE IN MILLIMETERS	DO NOT SCALE DRAWING	REVISION. ○
		GENERAL TOLERANCES +/- 0.2	TITLE: GENERAL DIMENSION DRAWING FOR 2957 SERIES ONE-SMALL-BUTTON	
		FINISH. LIGHT SPARK	DWG NO. 2957-46	A4
DRAWN	LEWIS LETCHFORD	SIGNED	LL	DATE
CHK'D	-	-	-	-
		MATERIAL. ABS	SCALE. 1:1	SHEET 1 OF 1
		PROJECTION. 