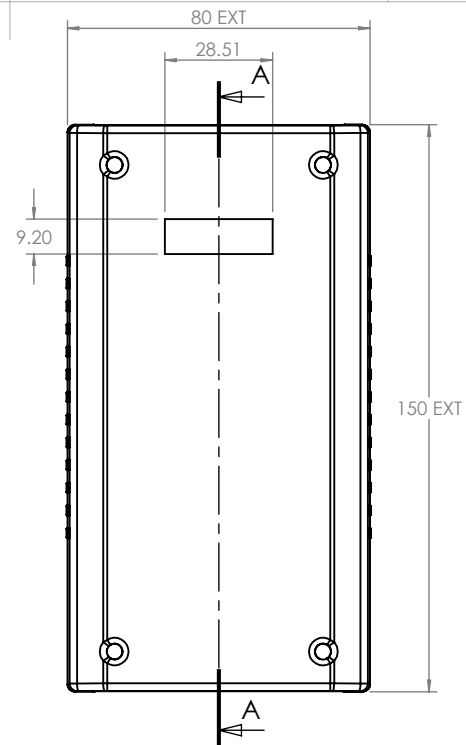
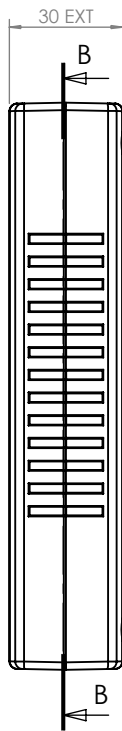
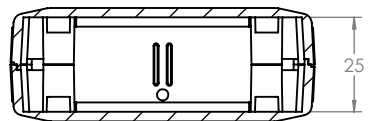
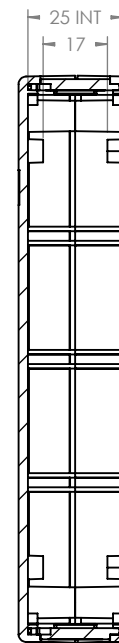


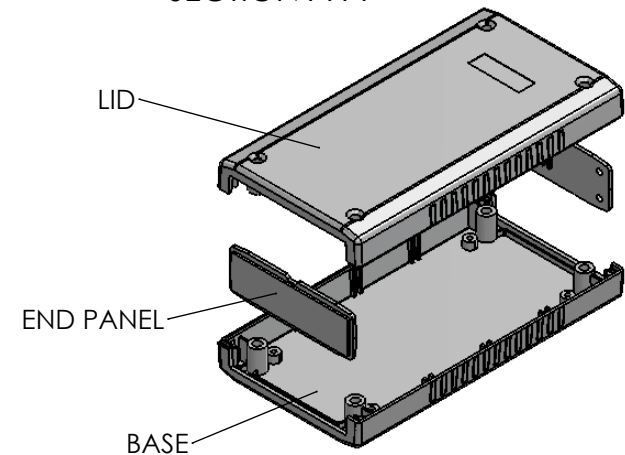
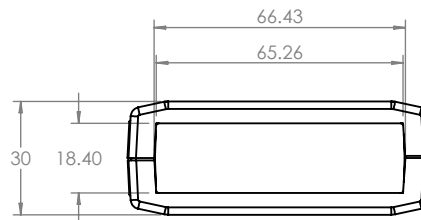
SECTION B-B





SECTION A-A



SECTION C-C



 CAMDENBOSS JAMES CARTER RD, MILDENHALL, SUFFOLK. IP28 7DE TEL: 01638 716101 FAX: 01638 716554 EMAIL: Sales@CamdenBoss.com WEB: www.CamdenBoss.com		UNLESS OTHERWISE SPECIFIED: DIMENSIONS ARE IN MILLIMETERS		DO NOT SCALE DRAWING		REVISION. 0	
		GENERAL TOLERANCES +/- 0.2		TITLE: GENERAL ASSY DRAWING FOR 3400 SERIES			
		FINISH. TEXTURED		DWG NO. 3400-13			
DRAWN JAMIE JACOBS		SIGNED JNJ		DATE 12/11/12		MATERIAL. UL94-V0	
CHKD -		-		-		PROJECTION. 	
				SCALE. 1 : 2		SHEET 1 OF 1	

A4