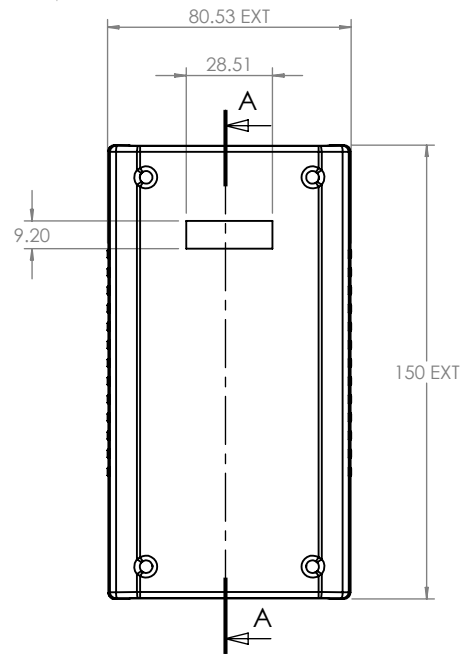
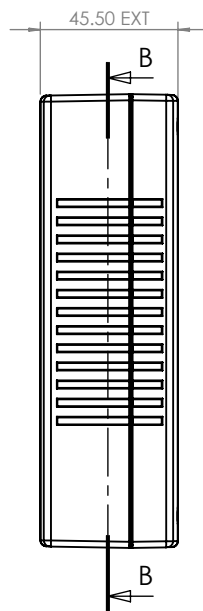
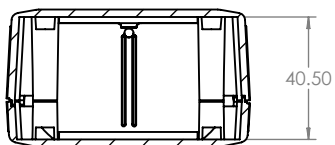
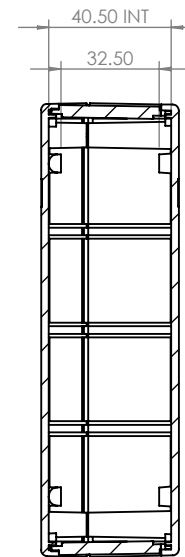


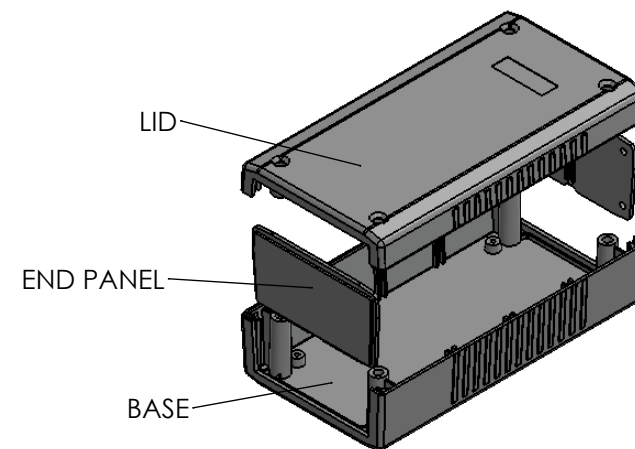
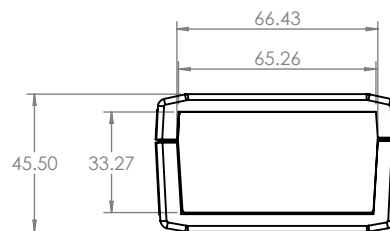
SECTION B-B





SECTION A-A



SECTION C-C



| | | | | | | | |
|---|--------------|--|-----|--|---|--------------------|--------------|
|  CAMDENBOSS JAMES CARTER RD, MILDENHALL, SUFFOLK. IP28 7DE TEL: 01638 716101 FAX: 01638 716554 EMAIL: Sales@CamdenBoss.com WEB: www.CamdenBoss.com | | UNLESS OTHERWISE SPECIFIED: DIMENSIONS ARE IN MILLIMETERS | | DO NOT SCALE DRAWING | | REVISION. 0 | |
| | | GENERAL TOLERANCES +/- 0.2 | | TITLE: GENERAL ASSY DRAWING FOR 3400 SERIES | | | |
| | | FINISH. TEXTURED | | MATERIAL. UL94-V0 | | DWG NO. 3400-16 | |
| DRAWN | JAMIE JACOBS | SIGNED | JNJ | DATE | 12/11/12 | A4 | |
| CHK'D | - | - | - | PROJECTION. |  | SCALE: 2 : 5 | SHEET 1 OF 1 |