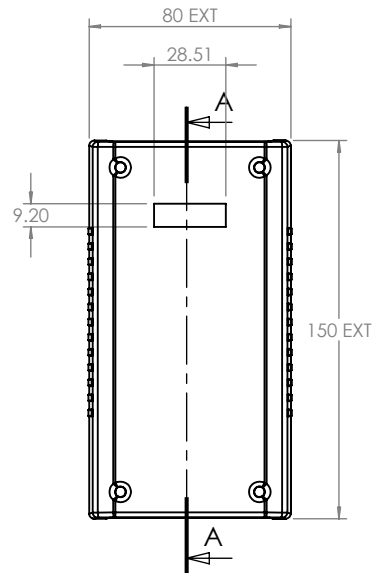
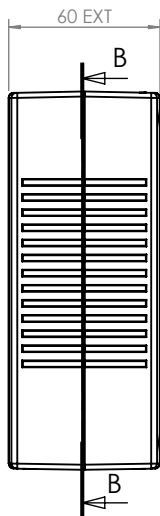
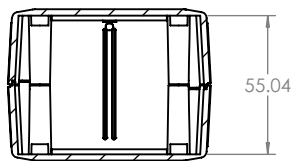
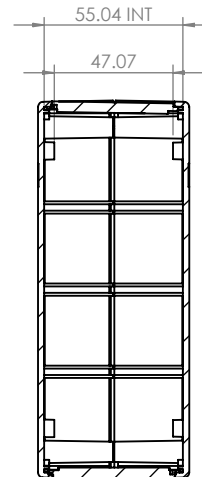


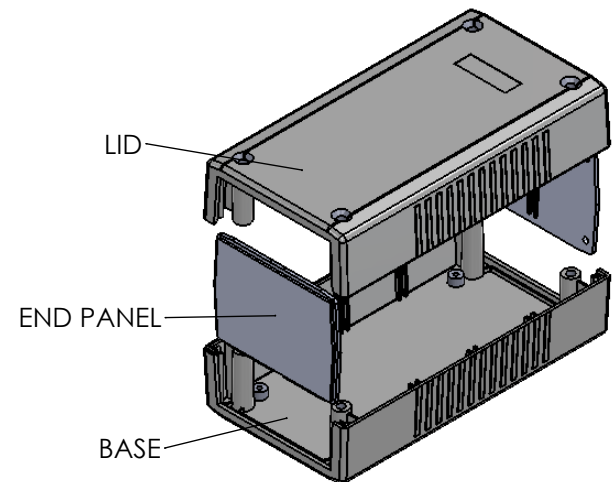
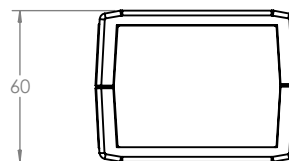
SECTION B-B





SECTION A-A



SECTION C-C



 CAMDENBOSS JAMES CARTER RD, MILDENHALL, SUFFOLK. IP28 7DE TEL: 01638 716101 FAX: 01638 716554 EMAIL: Sales@CamdenBoss.com WEB: www.CamdenBoss.com				UNLESS OTHERWISE SPECIFIED: DIMENSIONS ARE IN MILLIMETERS		DO NOT SCALE DRAWING		REVISION. 0	
				GENERAL TOLERANCES +/- 0.2		TITLE: GENERAL ASSY DRAWING FOR 3400 SERIES			
				FINISH. TEXTURED		DWG NO. 3400-18		A4	
				MATERIAL. UL94-V0		SCALE: 1 : 3		SHEET 1 OF 1	
DRAWN	JAMIE JACOBS	SIGNED	JNJ	DATE	12/11/12	PROJECTION. 			
CHK'D	-		-		-				