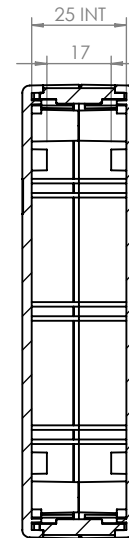
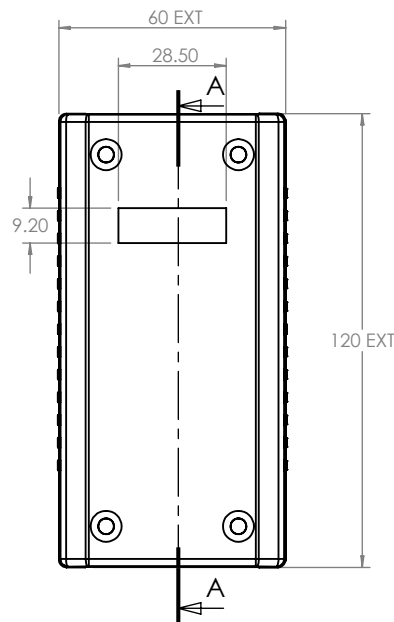
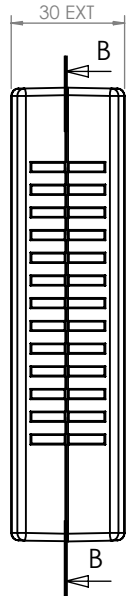
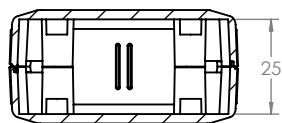


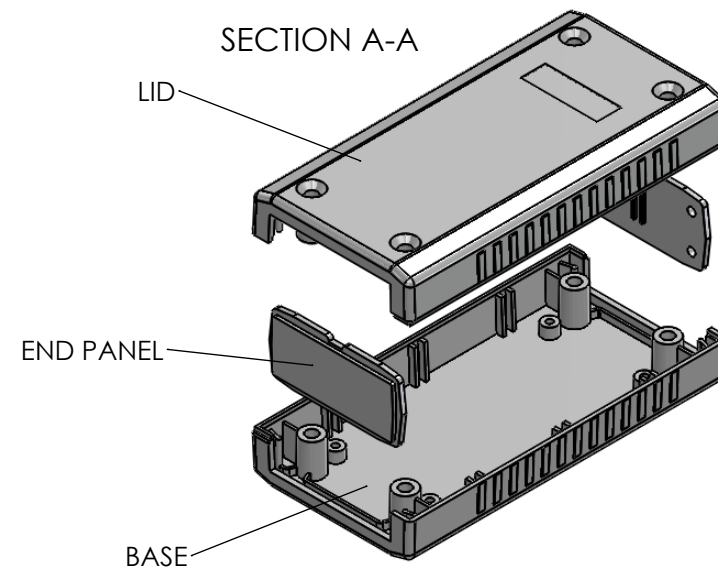
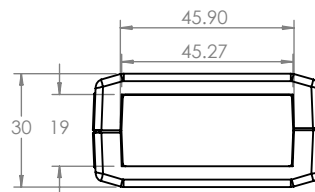
SECTION B-B





SECTION A-A



SECTION C-C



 <b>CAMDENBOSS</b> JAMES CARTER RD, MILDENHALL, SUFFOLK. IP28 7DE TEL: 01638 716101 FAX: 01638 716554 EMAIL: Sales@CamdenBoss.com WEB: www.CamdenBoss.com		UNLESS OTHERWISE SPECIFIED: DIMENSIONS ARE IN MILLIMETERS		DO NOT SCALE DRAWING		REVISION. 0	
		GENERAL TOLERANCES +/- 0.2		TITLE: <b>GENERAL ASSY DRAWING FOR 3400 SERIES</b>			
		FINISH. <b>TEXTURED</b>		MATERIAL. <b>ABS</b>		DWG NO. <b>3400-36</b>	
DRAWN	JAMIE JACOBS	SIGNED	JNJ	DATE	08/11/12	SCALE: 1 : 2	
CHK'D	-	-	-	PROJECTION. 		SHEET 1 OF 1	

A4