

1 2 3 4 5 6

A

B

C

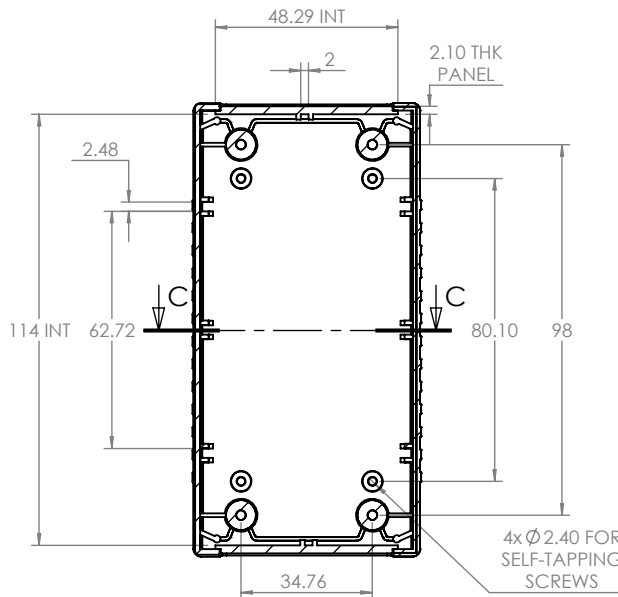
D

A

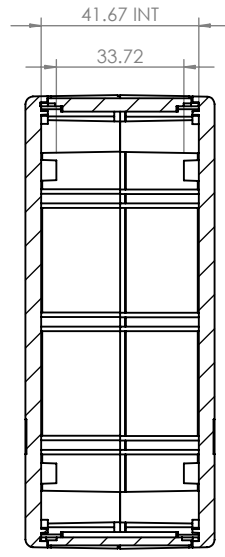
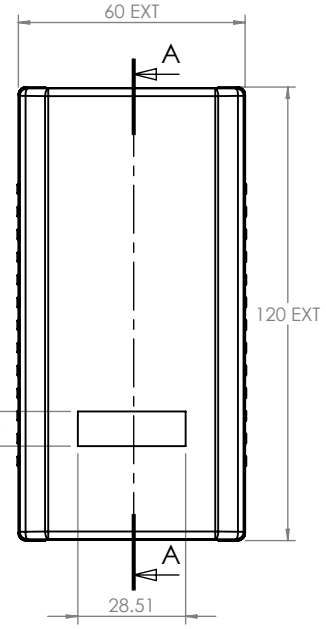
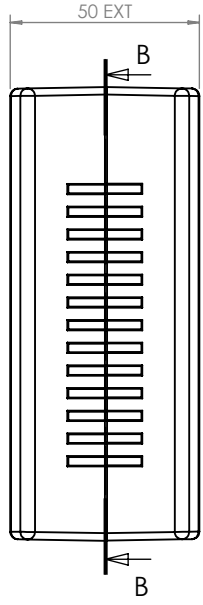
B

C

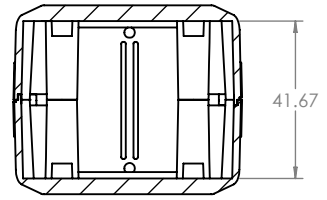
D



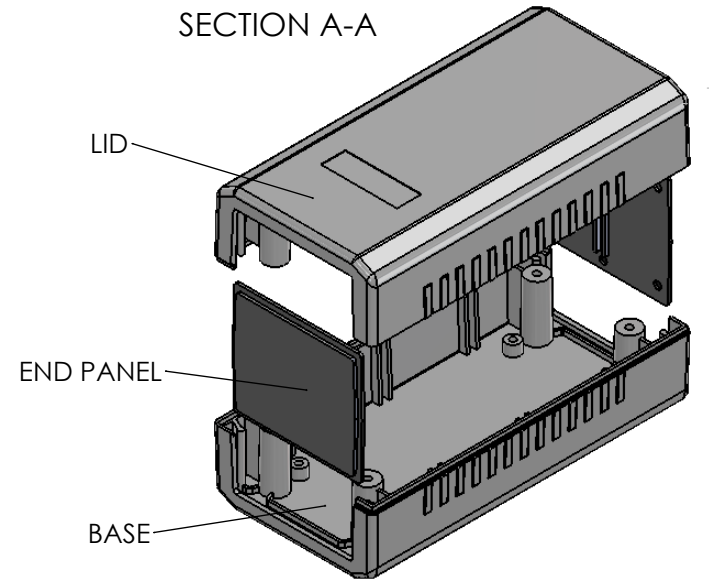
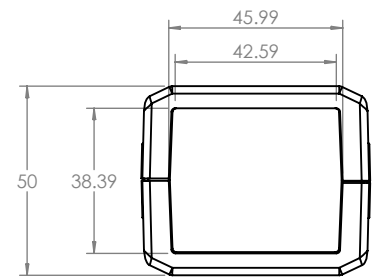
SECTION B-B




SECTION A-A



SECTION C-C



| | | | | | | | |
|---|--|--|--------|--|-------------|-------------|----------------|
|  CAMDENBOSS JAMES CARTER RD, MILDENHALL, SUFFOLK. IP28 7DE TEL: 01638 716101 FAX: 01638 716554 EMAIL: Sales@CamdenBoss.com WEB: www.CamdenBoss.com | | UNLESS OTHERWISE SPECIFIED: DIMENSIONS ARE IN MILLIMETERS | | DO NOT SCALE DRAWING | | REVISION. 0 | |
| | | GENERAL TOLERANCES +/- 0.2 | | TITLE: GENERAL ASSY DRAWING FOR 3400 SERIES | | | |
| DRAWN | | NAME | SIGNED | DATE | MATERIAL. | | DWG NO. |
| CHKD | | JAMIE JACOBS | JNJ | 09/11/12 | ABS | | 3400-40 |
| | | | | | PROJECTION. | | SCALE: 1 : 2 |
| | | | | | | | SHEET 1 OF 1 |

1 2 3 4 5 6