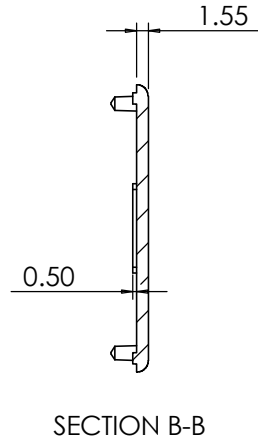
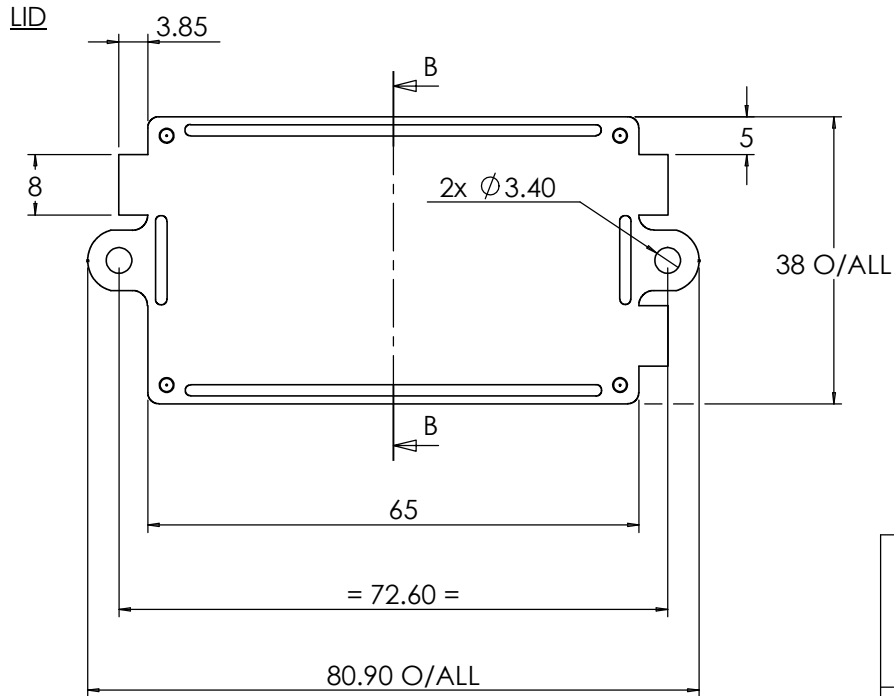
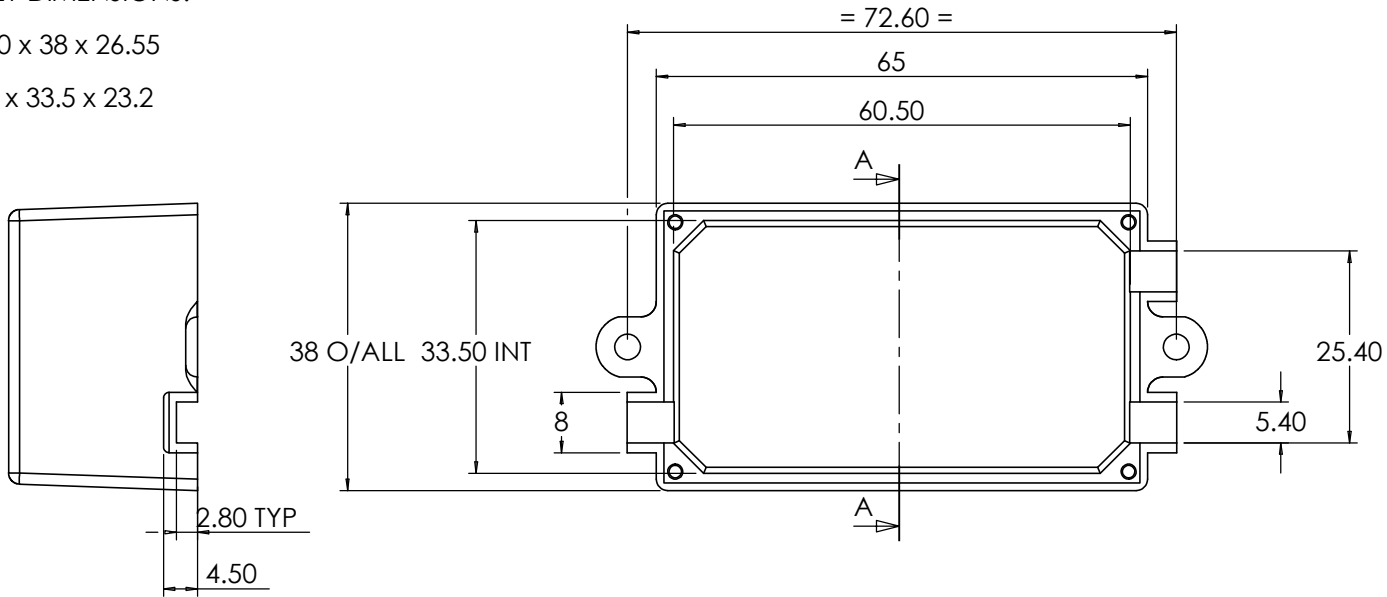


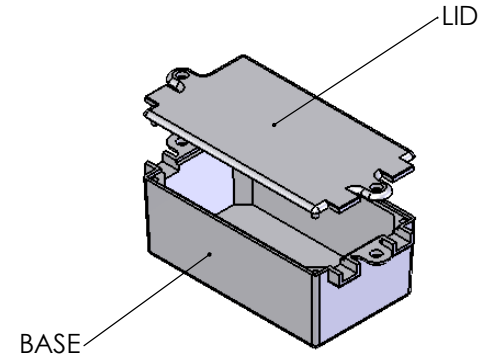
OVERALL ASSEMBLY DIMENSIONS:


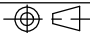
EXTERNAL - 80.90 x 38 x 26.55

INTERNAL - 60.5 x 33.5 x 23.2



ISO VIEW
1:2



 CAMDENBOSS JAMES CARTER RD, MILDENHALL, SUFFOLK, IP28 7DE TEL: 01638 716101 FAX: 01638 716554 EMAIL: Sales@CamdenBoss.com WEB: www.CamdenBoss.com				UNLESS OTHERWISE SPECIFIED: DIMENSIONS ARE IN MILLIMETERS		DO NOT SCALE DRAWING		REVISION. 0		
				FINISH: FINE SPARK		TITLE: ASSEMBLY DRG FOR 400-013				
DRAWN: SUBKHANKULOVA		SIGNED: LS		DATE: 05/06/09		MATERIAL: ABS		DWG NO. 400-013		A4
CHK'D: STUART HARDINGE		SIGNED: SJH		DATE: 05/06/09		PROJECTION: 		SCALE: 1 : 1		SHEET 1 OF 1