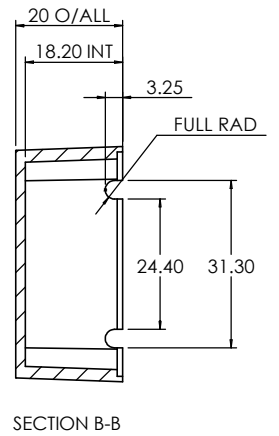
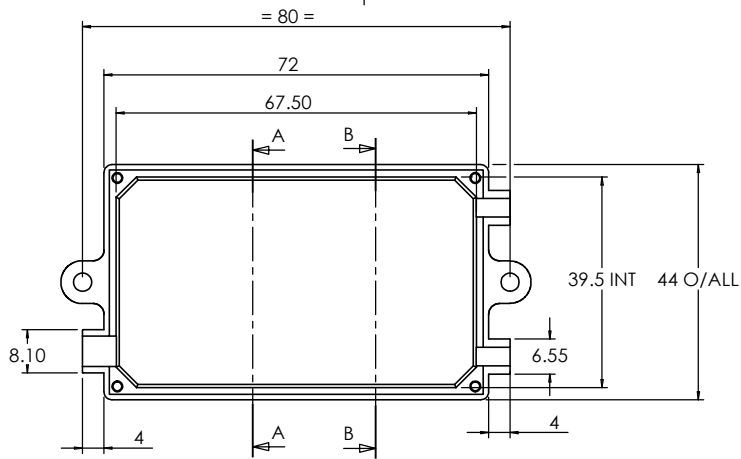
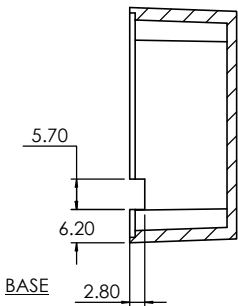


OVERALL ASSEMBLY DIMENSIONS:

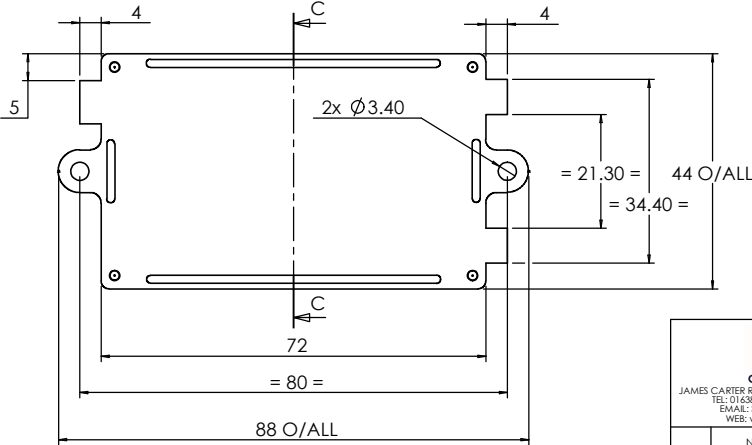
EXTERNAL - 88 x 44 x 21.75

INTERNAL - 67.5 x 39.5 x 18.2

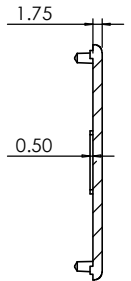
SECTION A-A



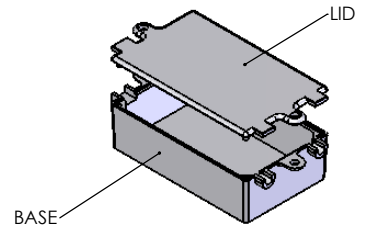
LID



SECTION C-C



ISO VIEW
1:2



<p>CAMDENBOSS JAMES CARTER RD, MILDENHALL, SUFFOLK, IP28 7DE TEL: 01638 716101 FAX: 01638 716554 EMAIL: sales@camdenboss.com WEB: www.CamdenBoss.com</p>			UNLESS OTHERWISE SPECIFIED: DIMENSIONS ARE IN MILLIMETERS		DO NOT SCALE DRAWING	REVISION: 0
			FINISH: FINE SPARK		TITLE: ASSEMBLY DRG FOR 400-015	
DRAWN	NAME SUBKHANKULOVA	SIGNED LS	DATE 05/06/09	MATERIAL: ABS	DWG NO. 400-015	A4
CHK'D	NAME STUART HARDINGE	SIGNED SJH	DATE 05/06/09	PROJECTION:	SCALE: 1 : 1	SHEET 1 OF 1