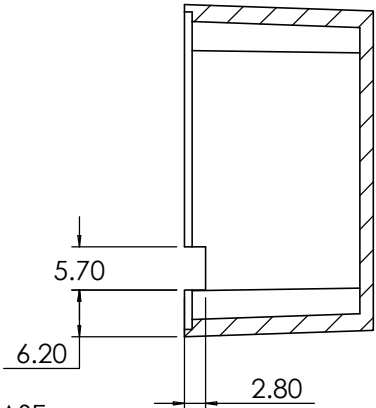


OVERALL ASSEMBLY DIMENSIONS:

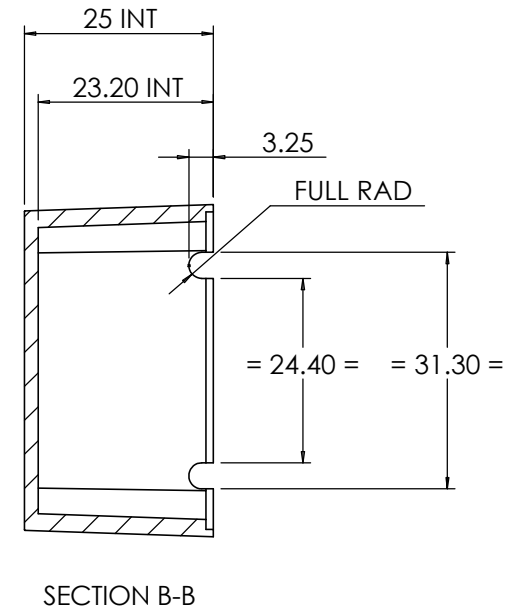
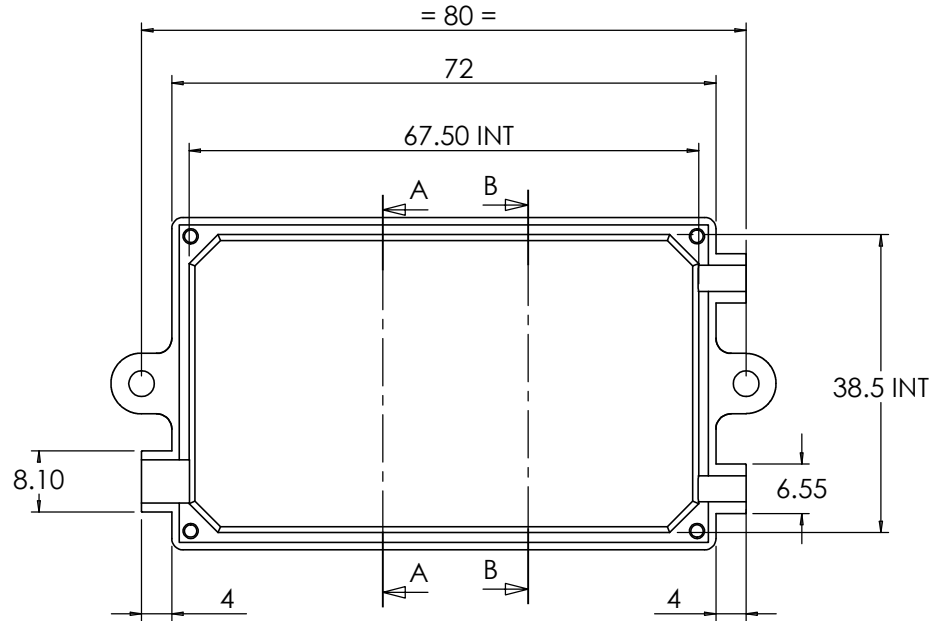
EXTERNAL - 88 x 44 x 26.75

INTERNAL - 67.5 x 39.5 x 23.20

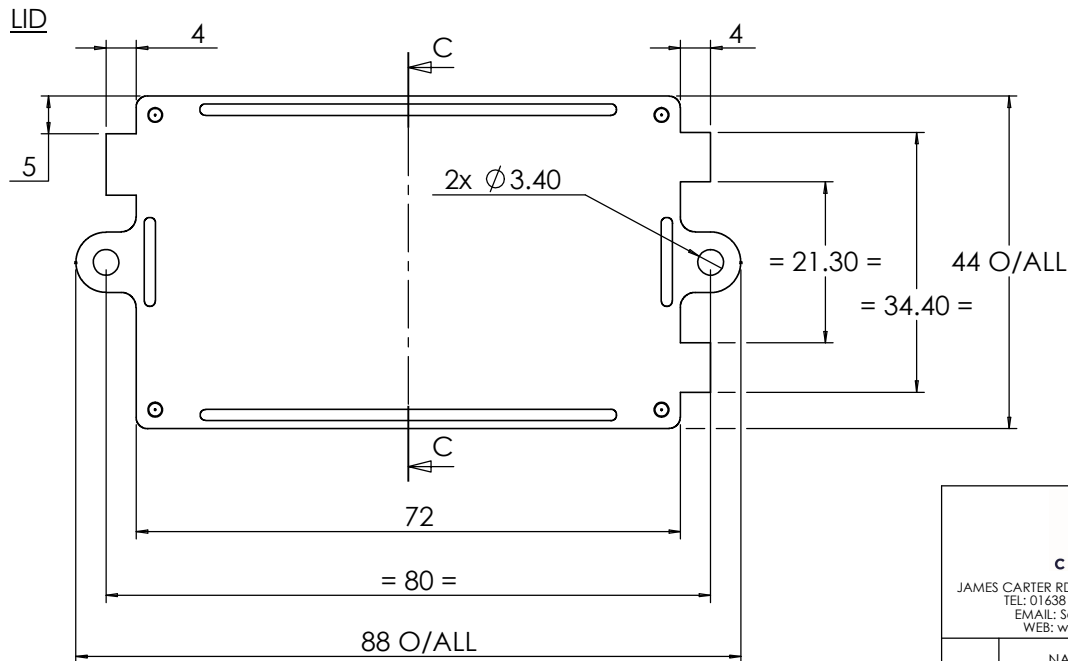
SECTION A-A



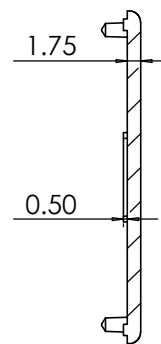
BASE



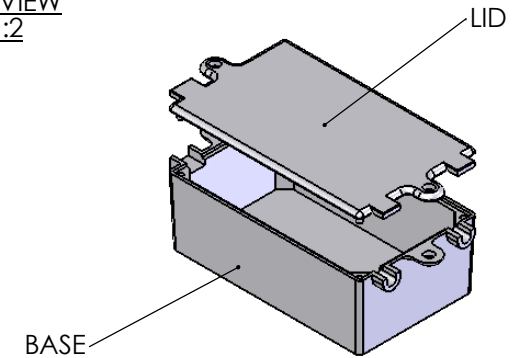
SECTION B-B


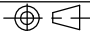


SECTION C-C



ISO VIEW
1:2



 CAMDENBOSS JAMES CARTER RD, MILDENHALL, SUFFOLK. IP28 7DE TEL: 01638 716101 FAX: 01638 716554 EMAIL: Sales@CamdenBoss.com WEB: www.CamdenBoss.com		UNLESS OTHERWISE SPECIFIED: DIMENSIONS ARE IN MILLIMETERS	DO NOT SCALE DRAWING	REVISION. 0		
		FINISH. FINE SPARK	TITLE: ASSEMBLY DRG FOR 400-017			
	NAME DRAWN SUBKHANKULOVA	SIGNED LS	DATE 05/06/09	MATERIAL. ABS	DWG NO. 400-017	A4
	CHK'D STUART HARDINGE	SJH	05/06/09	PROJECTION. 	SCALE. 1:1	