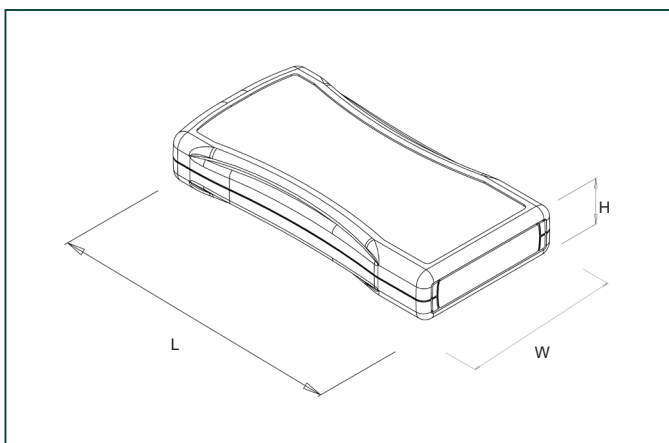


45 series rubber boot enclosures

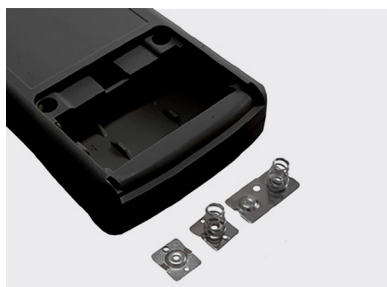
Product overview

Ergonomically designed range of handheld enclosures, with battery compartment and rubber boot options.

- Moulded in UL94-5VA flame retardant ABS
- Lid retained by four self-tapping screws
- Removable end panel for ease of access and ideal for machining
- ABS end panel version as standard
- Sliding lid battery compartment options for AA or 9V PP3 batteries (contacts/strap included)
- Textured lid versions for consistent all over surface finish
- Smooth recess lid version for membrane keypads or overlays
- PCB pillars moulded in lid and base, screws available to order
- Recess in base for product labels
- 45 series has been designed to meet the requirements of IP54



SPECIFICATION	
Materials	Base, lid and end-panel in UL94-5VA ABS
Operating temperature	Resistant to temperatures of up to 80°C
Protection class	45 series has been designed to meet the requirements of IP54
Standard colours	Black as standard Ivory on request
Standard unit includes	Lid, base, end-panel and battery-lid 4x self-tapping screws Battery contacts/strap (+foam pad with 9V)
Options	Rubber boot (various colours)



AA battery compartment

TEXTURED LID	RECESSED LID	SIZE	LENGTH	WIDTH	HEIGHT
CHH451ABK	CHH456ABK	1	117.5mm	72.5mm	25.5mm
CHH452ABK	CHH457ABK	2	139.5mm	82.5mm	26mm
CHH453ABK	CHH458ABK	3	165mm	82.5mm	26mm



9V PP3 battery compartment

TEXTURED LID	RECESSED LID	SIZE	LENGTH	WIDTH	HEIGHT
CHH451PBK	CHH456PBK	1	117.5mm	72.5mm	25.5mm
CHH452PBK	CHH457PBK	2	139.5mm	82.5mm	26mm
CHH453PBK	CHH458PBK	3	165mm	82.5mm	26mm



No battery compartment

TEXTURED LID	RECESSED LID	SIZE	LENGTH	WIDTH	HEIGHT
CHH451NBK	CHH456NBK	1	117.5mm	72.5mm	25.5mm
CHH452NBK	CHH457NBK	2	139.5mm	82.5mm	26mm
CHH453NBK	CHH458NBK	3	165mm	82.5mm	26mm

ACCESSORIES

Silicone rubber boot

- Flexible open faced removable silicone rubber boot
- Fits tightly over base, sides and around edges of lid
- Belt strap incorporated into back, covers battery compartment
- Suitable for any battery compartment, with textured or recessed lid
- Available in all three sizes, in blue, red and black



BLACK	RED	BLUE	SIZE
CHH451BBK	CHH451BRD	CHH451BBL	1
CHH452BBK	CHH452BRD	CHH452BBL	2
CHH453BBK	CHH453BRD	CHH453BBL	3

292
UNIVERSAL
ENCLOSURES

318
HEAVY DUTY
AND ELECTRICAL
ENCLOSURES

342
DESKTOP AND
INSTRUMENT
CASES

348
DEVELOPMENT
BOARD
ENCLOSURES

367
ROOM SENSOR
ENCLOSURES

370
CUSTOM SIZED
ENCLOSURES

PLASTIC ENCLOSURES