

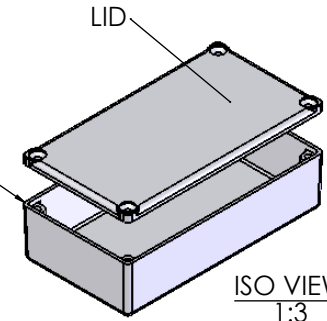
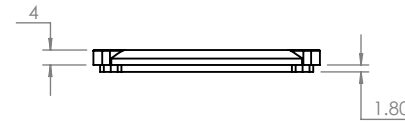
OVERALL ASSEMBLY DIMENSIONS:

EXTERNAL - 110.7 x 59.9 x 31

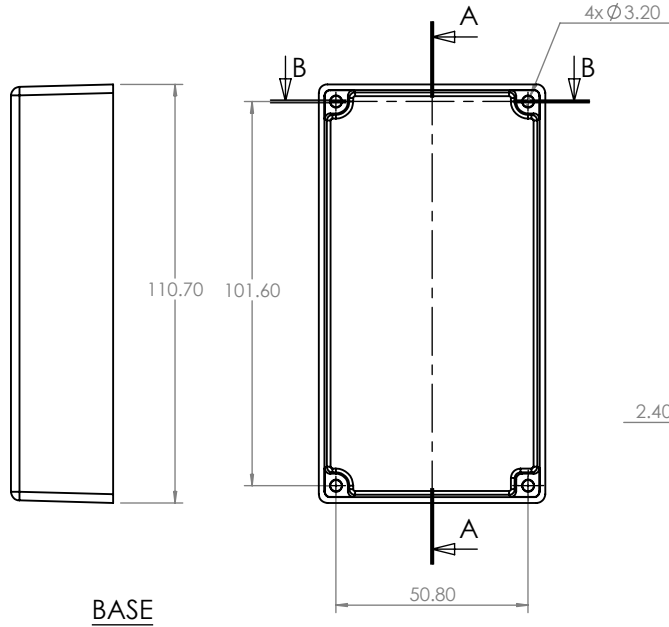
INTERNAL - 107.7 x 56.9 x 27



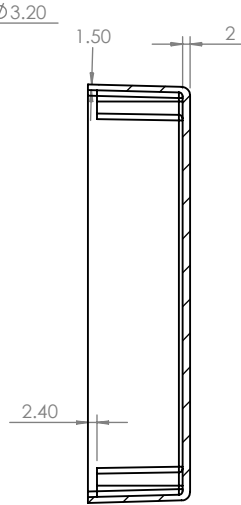
SECTION B-B



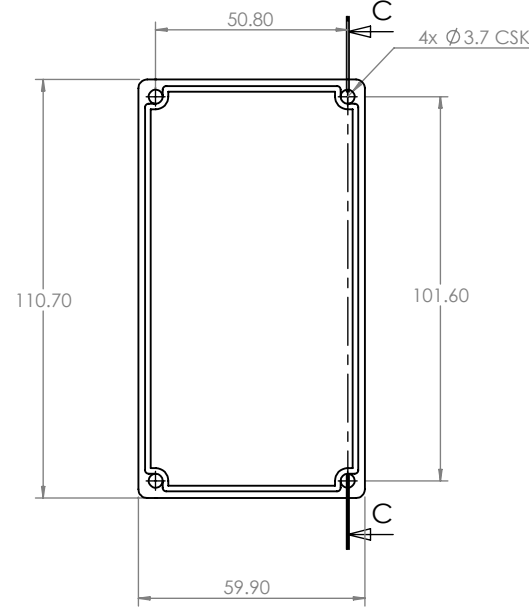
ISO VIEW  
1:3



BASE

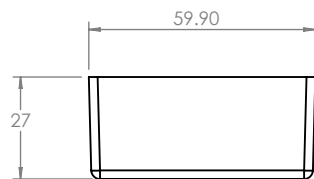




SECTION A-A



SECTION C-C

LID



 <b>CAMDENBOSS</b> JAMES CARTER RD, MILDENHALL, SUFFOLK. IP28 7DE TEL: 01 638 716101 FAX: 01 638 716554 EMAIL: SALES@BOSS-ENCLOSURES.CO.UK WEB: www.BOSS-ENCLOSURES.CO.UK				UNLESS OTHERWISE SPECIFIED: DIMENSIONS ARE IN MILLIMETERS		DO NOT SCALE DRAWING		REVISION. O		
				FINISH. <b>SMOOTH</b>		TITLE: <b>DRG FOR 5100-124 BOX</b>				
DRAWN S.HARDINGE		SIGNED SJH		DATE 08/12/05		MATERIAL. DIE-CAST ALUMINIUM		DWG NO. <b>5100-124</b>		A4
CHKD -		-		-		PROJECTION. 		SCALE: 1 : 2		SHEET 1 OF 1