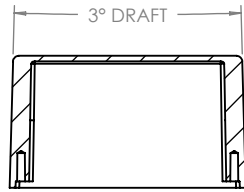


OVERALL ASSEMBLY DIMENSIONS:

EXTERNAL - 118.9 x 93.6 x 56.3

INTERNAL - 114.3 x 89 x 52.1

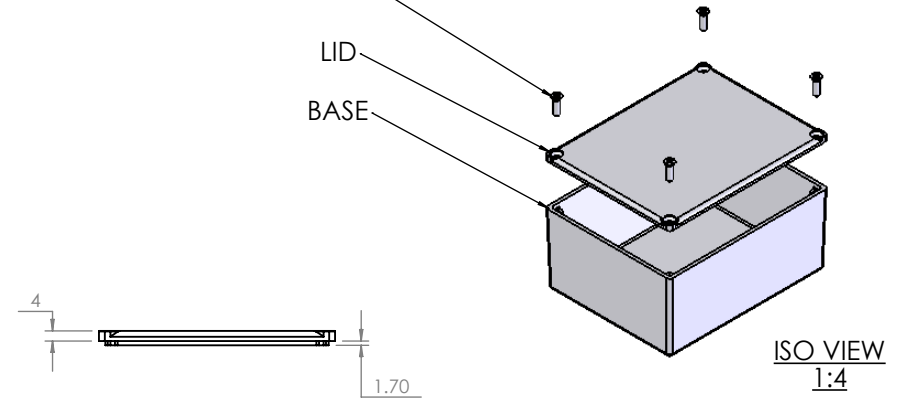


SECTION B-B

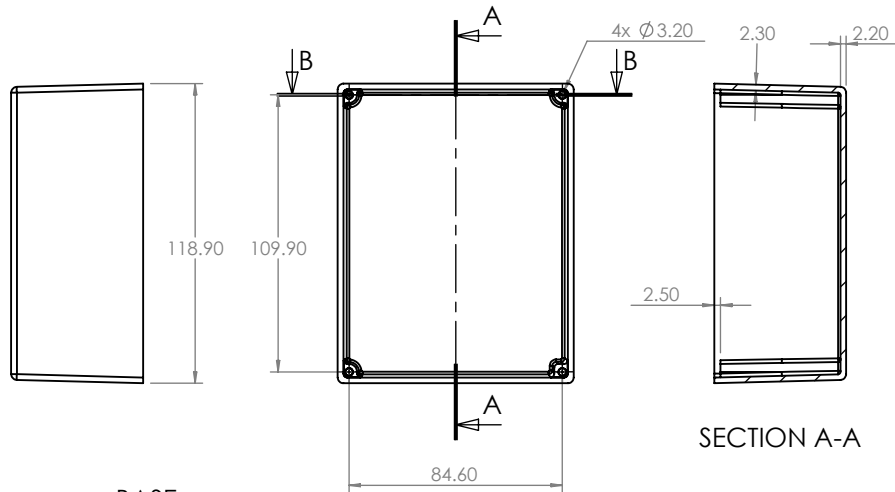
SELF TAPPING SCREW

LID

BASE

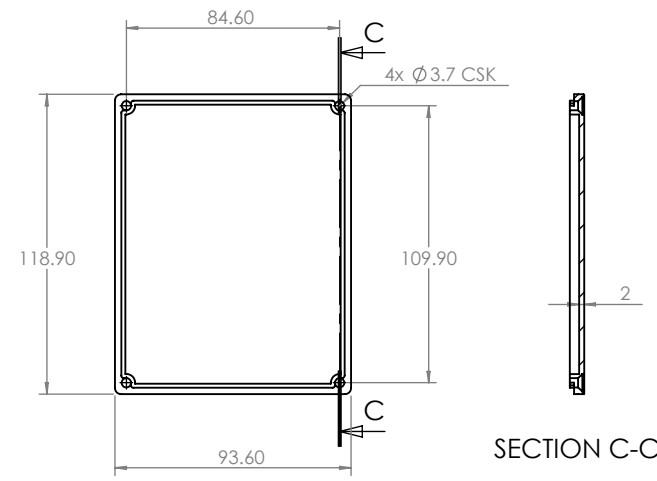


ISO VIEW  
1:4





BASE

SECTION A-A



SECTION C-C

LID

 <b>CAMDENBOSS</b> JAMES CARTER RD, MILDENHALL, SUFFOLK. IP28 7DE TEL: 01638 716101 FAX: 01638 716554 EMAIL: Sales@CamdenBoss.com WEB: www.CamdenBoss.com			UNLESS OTHERWISE SPECIFIED: DIMENSIONS ARE IN MILLIMETERS		DO NOT SCALE DRAWING		REVISION. 0			
			FINISH. <b>SMOOTH</b>		TITLE: <b>ASSEMBLY DRG FOR 5100-234</b>					
DRAWN S.HARDINGE		SIGNED SJH		DATE 09/12/05		MATERIAL. DIE-CAST ALUMINIUM		DWG NO. <b>5100-234</b>		A4
CHKD -		-		-		PROJECTION. 		SCALE: 1 : 3		SHEET 1 OF 1