

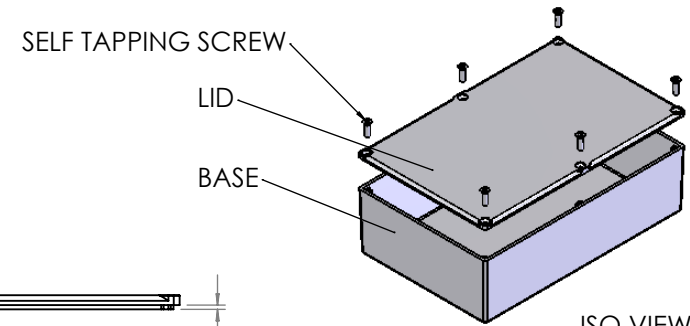
OVERALL ASSEMBLY DIMENSIONS:

EXTERNAL - 187.4 x 119.2 x 56.2

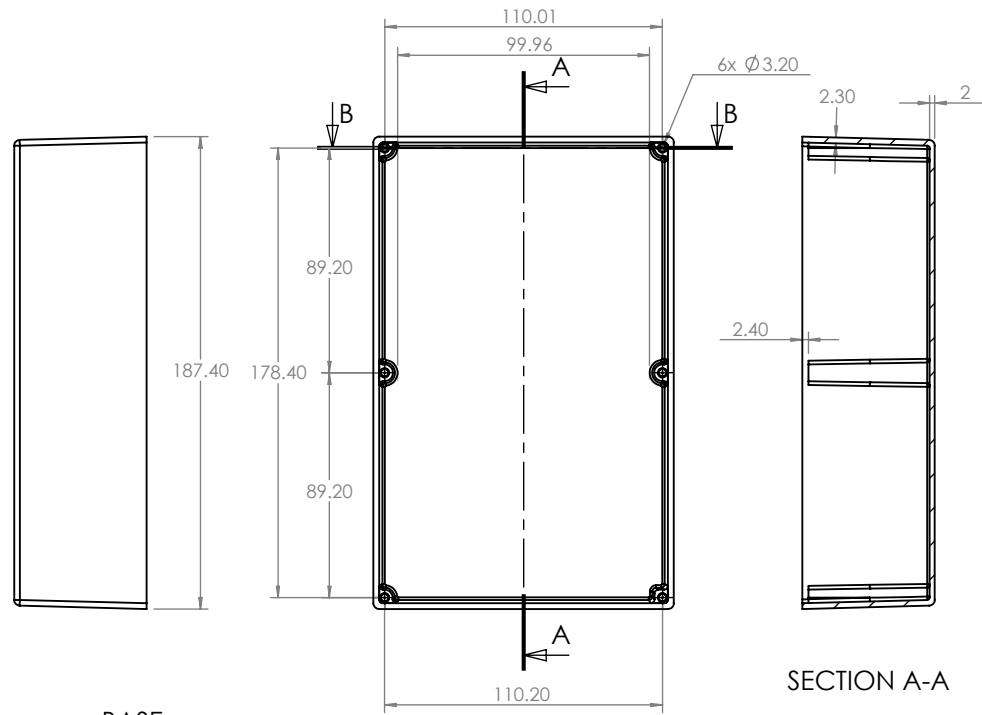
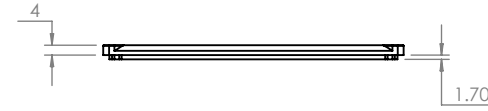
INTERNAL - 178.21 x 99.96 / 110.01 x 51.5



SECTION B-B

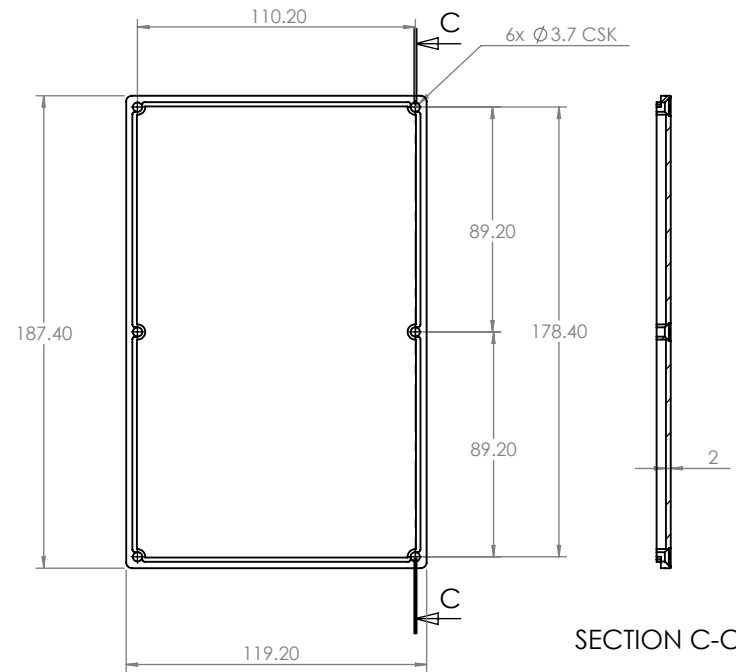


ISO VIEW  
1:4





BASE

SECTION A-A



SECTION C-C

LID

 <b>CAMDENBOSS</b> JAMES CARTER RD, MILDENHALL, SUFFOLK. IP28 7DE TEL: 01 638 716101 FAX: 01 638 716554 EMAIL: SALES@BOSS-ENCLOSURES.CO.UK WEB: WWW.BOSS-ENCLOSURES.CO.UK		UNLESS OTHERWISE SPECIFIED: DIMENSIONS ARE IN MILLIMETERS		DO NOT SCALE DRAWING		REVISION. 0					
		FINISH. <b>SMOOTH</b>		TITLE: <b>ASSEMBLY DRG FOR 5100-247</b>							
DRAWN S.HARDINGE		SIGNED SJH		DATE 20/12/05		MATERIAL. DIE-CAST ALUMINIUM		DWG NO. <b>5100-247</b>		A4	
CHKD -		-		-		PROJECTION. 		SCALE. 1 : 3		SHEET 1 OF 1	