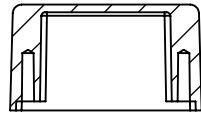


OVERALL ASSEMBLY DIMENSIONS:

EXTERNAL - 50.6 x 50.6 x 32

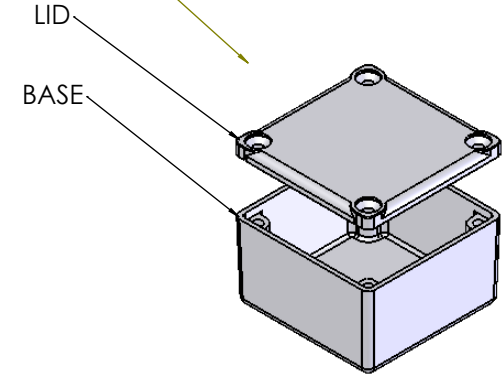
INTERNAL - 47.6 x 47.6 x 28



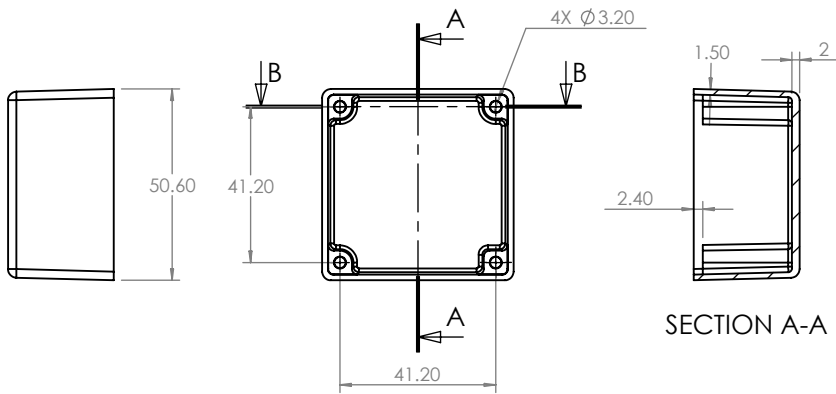
SECTION B-B



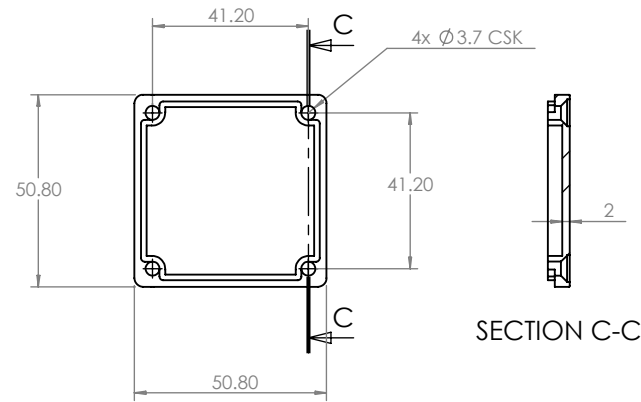
SELF TAPPING SCREW





ISO VIEW



BASE



LID

 CAMDENBOSS JAMES CARTER RD, MILDENHALL, SUFFOLK. IP28 7DE TEL: 01638 716101 FAX: 01638 716554 EMAIL: Sales@CamdenBoss.com WEB: www.CamdenBoss.com				UNLESS OTHERWISE SPECIFIED: DIMENSIONS ARE IN MILLIMETERS		DO NOT SCALE DRAWING		REVISION. O		
				FINISH. SMOOTH		TITLE: ASSEMBLY DRG FOR 5100-470				
DRAWN S.HARDINGE		SIGNED SJH		DATE 08/12/05		MATERIAL. DIE-CAST ALUMINIUM		DWG NO. 5100-470		A4
CHKD -		-		-		PROJECTION. 		SCALE: 1 : 2		SHEET 1 OF 1