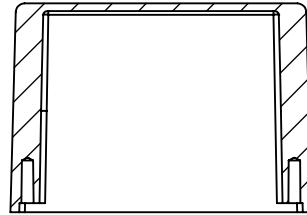


OVERALL ASSEMBLY DIMENSIONS:

EXTERNAL - 120.5 x 79.6 x 59.3

INTERNAL 115.9 x 75 x 55.2

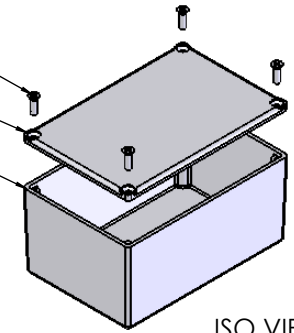


SECTION B-B

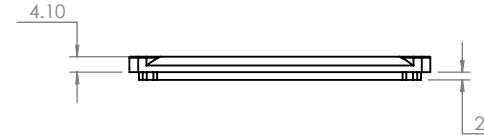
SELF TAPPING SCREW

LID

BASE



ISO VIEW  
1:4

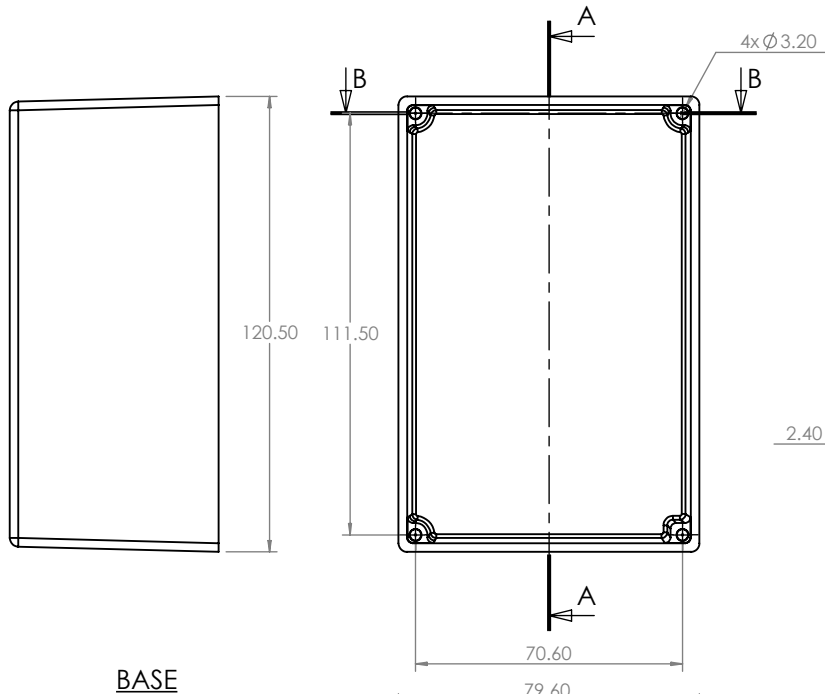


A

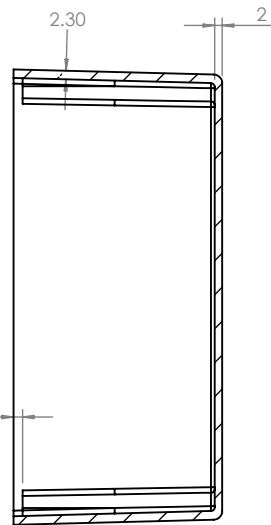
A

B

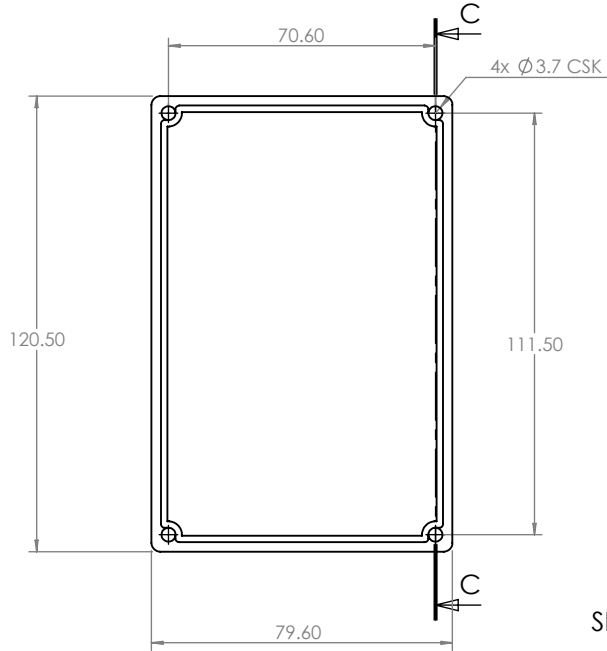
B



BASE



SECTION A-A



SECTION C-C

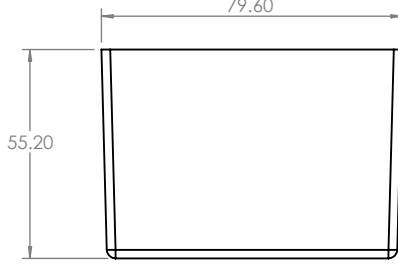
LID



C

C

D

D



 <b>CAMDENBOSS</b> JAMES CARTER RD, MILDENHALL, SUFFOLK. IP28 7DE TEL: 01 638 716101 FAX: 01 638 716554 EMAIL: SALES@BOSS-ENCLOSURES.CO.UK WEB: WWW.BOSS-ENCLOSURES.CO.UK				UNLESS OTHERWISE SPECIFIED: DIMENSIONS ARE IN MILLIMETERS		DO NOT SCALE DRAWING		REVISION. 0		
				FINISH: <b>SMOOTH</b>		TITLE: <b>ASSEMBLY DRG FOR 5100-472</b>				
DRAWN S.HARDINGE		SIGNED SJH		DATE 09/12/05		MATERIAL: DIE-CAST ALUMINIUM		DWG NO. <b>5100-472</b>		A4
CHKD -		-		-		PROJECTION. 		SCALE: 1 : 2		SHEET 1 OF 1

1

2

3