

OVERALL ASSEMBLY DIMENSIONS:

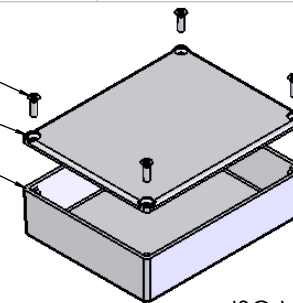
EXTERNAL - 118.9 x 93.3 x 34.2

INTERNAL - 114.3 x 88.7 x 30.2

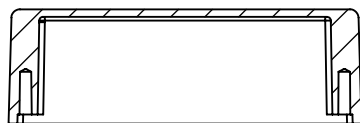
SELF TAPPING SCREW

LID

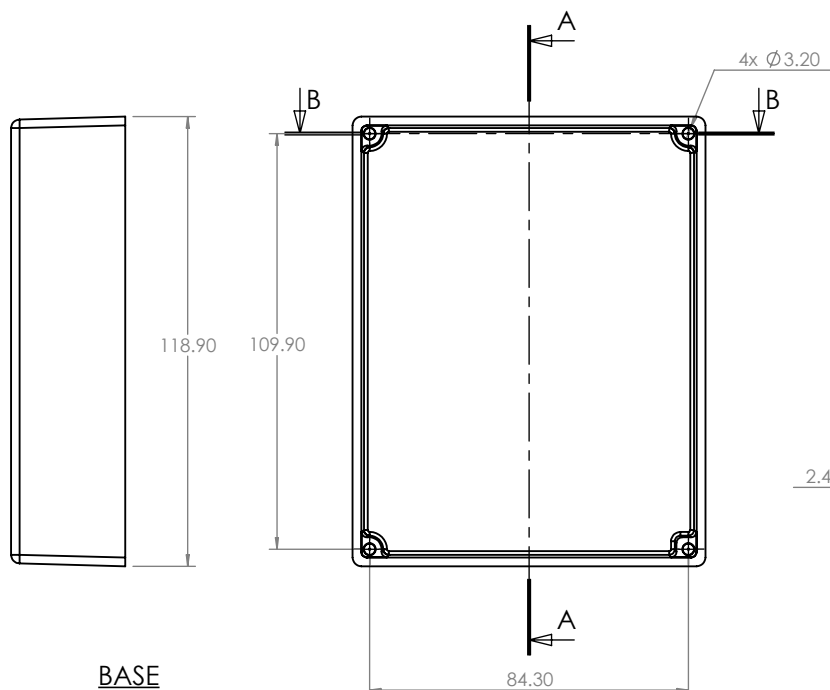
BASE



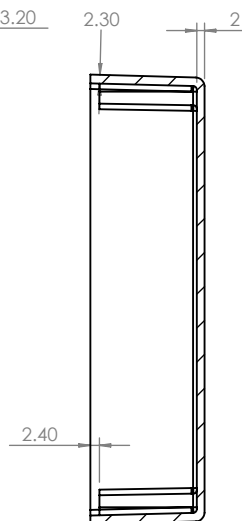
ISO VIEW  
1:4



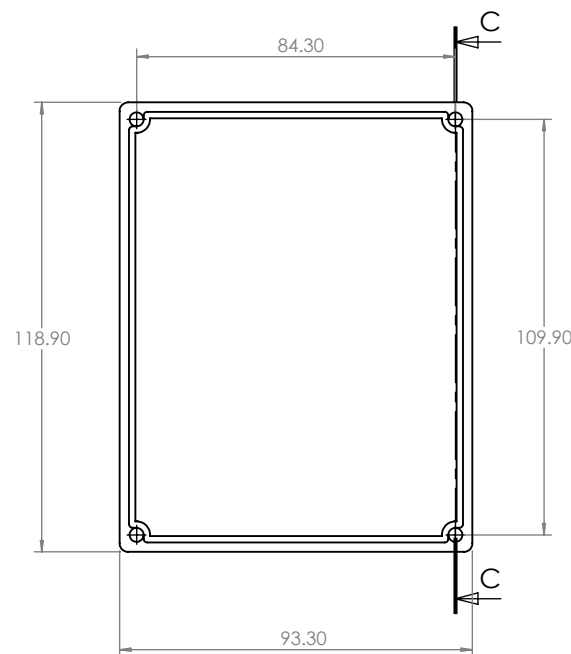
SECTION B-B



BASE

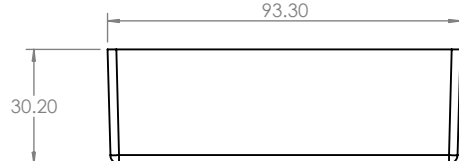




SECTION A-A



SECTION C-C

LID



 <b>CAMDENBOSS</b> JAMES CARTER RD, MILDENHALL, SUFFOLK. IP28 7DE TEL: 01 638 716101 FAX: 01 638 716554 EMAIL: SALES@BOSS-ENCLOSURES.CO.UK WEB: www.BOSS-ENCLOSURES.CO.UK		UNLESS OTHERWISE SPECIFIED: DIMENSIONS ARE IN MILLIMETERS		DO NOT SCALE DRAWING		REVISION. O					
		FINISH. <b>SMOOTH</b>		TITLE: <b>ASSEMBLY DRG FOR 5100-473</b>							
DRAWN S.HARDINGE		SIGNED SJH		DATE 09/12/05		MATERIAL. DIE-CAST ALUMINIUM		DWG NO. <b>5100-473</b>		A4	
CHK'D -		-		-		PROJECTION. 		SCALE: 1 : 2		SHEET 1 OF 1	