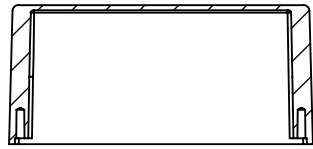


OVERALL ASSEMBLY DIMENSIONS:

EXTERNAL - 120.5 x 120.5 x 59.2

INTERNAL - 115.9 x 115.9 x 55.2

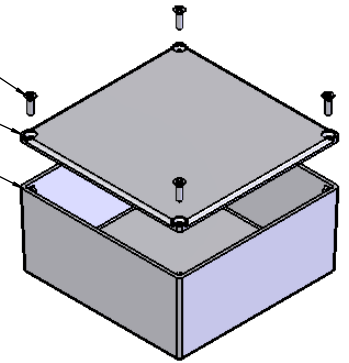


SECTION B-B

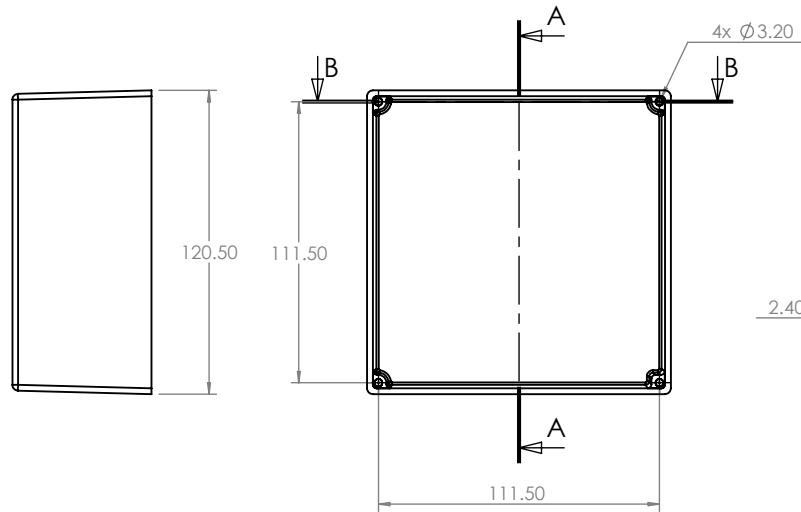
SELF TAPPING SCREW

LID

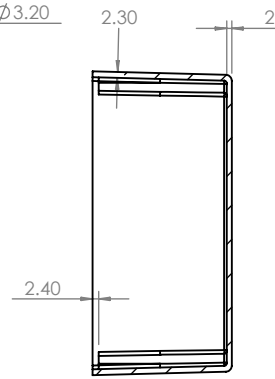
BASE



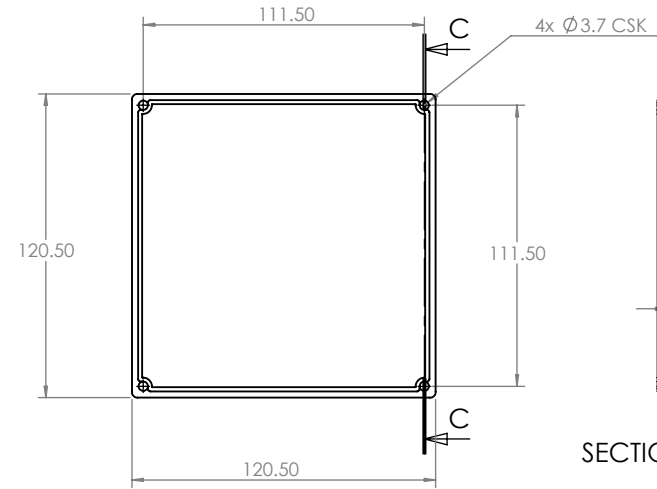
ISO VIEW
1:4



BASE

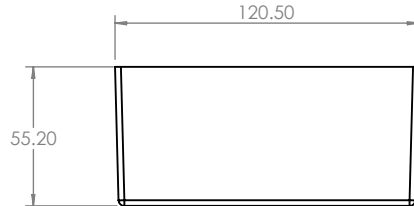




SECTION A-A



SECTION C-C

LID



| | | | | | | | | | | |
|---|--|---------------|--|--|--|---|--|----------------------------|--|--------------|
|  CAMDENBOSS JAMES CARTER RD, MILDENHALL, SUFFOLK. IP28 7DE TEL: 01 638 716101 FAX: 01 638 716554 EMAIL: SALES@BOSS-ENCLOSURES.CO.UK WEB: www.BOSS-ENCLOSURES.CO.UK | | | | UNLESS OTHERWISE SPECIFIED: DIMENSIONS ARE IN MILLIMETERS | | DO NOT SCALE DRAWING | | REVISION. O | | |
| | | | | FINISH. SMOOTH | | TITLE: ASSEMBLY DRG FOR 5100-474 | | | | |
| DRAWN S.HARDINGE | | SIGNED SJH | | DATE 13/12/05 | | MATERIAL. DIE-CAST ALUMINIUM | | DWG NO. 5100-474 | | A4 |
| CHKD - | | - | | - | | PROJECTION.  | | SCALE: 1 : 3 | | SHEET 1 OF 1 |