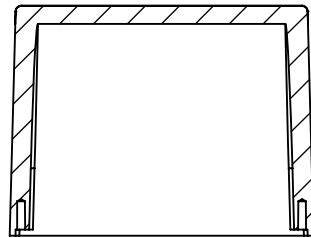


OVERALL ASSEMBLY DIMENSIONS:

EXTERNAL - 120.5 x 120.5 x 95.2

INTERNAL - 115.9 x 115.9 x 91.2

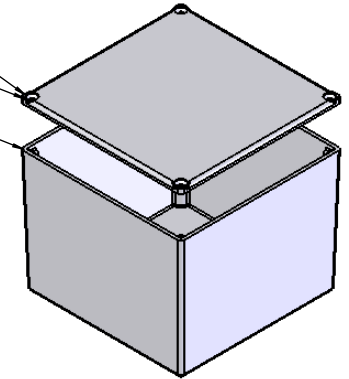


SECTION B-B

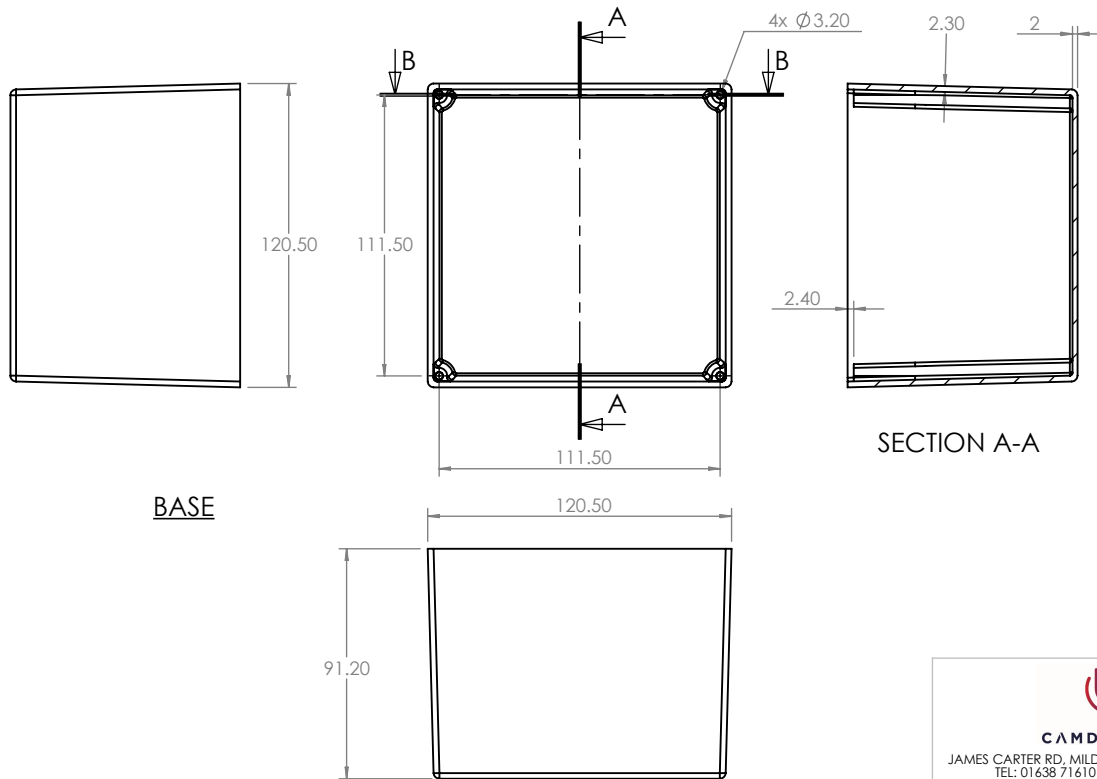
SELF TAPPING SCREW

LID

BASE





ISO VIEW
1:4



SECTION A-A

BASE

 CAMDENBOSS JAMES CARTER RD, MILDENHALL, SUFFOLK. IP28 7DE TEL: 01 638 716101 FAX: 01 638 716554 EMAIL: SALES@BOSS-ENCLOSURES.CO.UK WEB: www.BOSS-ENCLOSURES.CO.UK				UNLESS OTHERWISE SPECIFIED: DIMENSIONS ARE IN MILLIMETERS		DO NOT SCALE DRAWING		REVISION. 0	
				FINISH. SMOOTH		TITLE: ASSEMBLY DRG FOR 5100-475			
DRAWN S.HARDINGE		SIGNED SJH	DATE 13/12/05	MATERIAL. DIE-CAST ALUMINIUM		DWG NO. 5100-475		A4	
CHK'D -		-	-	PROJECTION. 		SCALE. 1 : 3		SHEET 1 OF 1	