

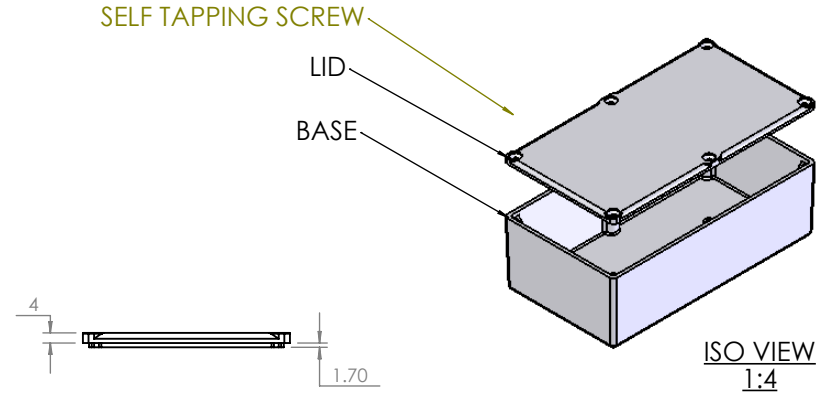
OVERALL ASSEMBLY DIMENSIONS:

EXTERNAL - 152.2 x 82.2 x 50.8

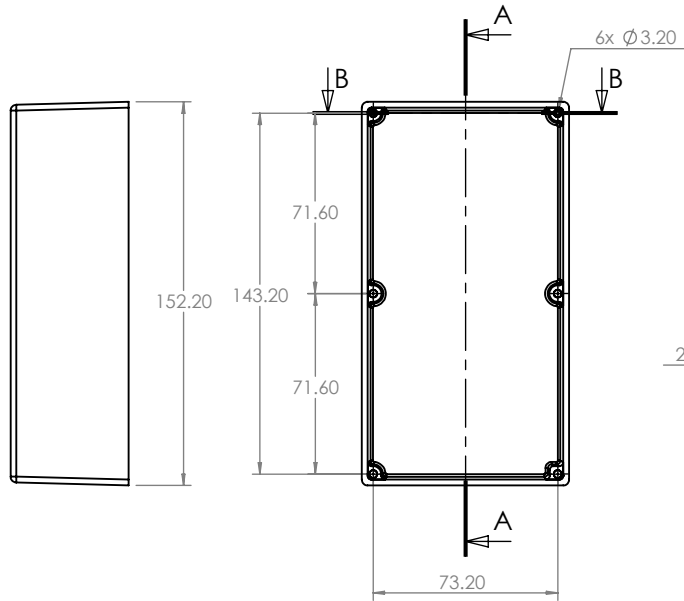
INTERNAL - 147.6 x 77.6 x 46.8



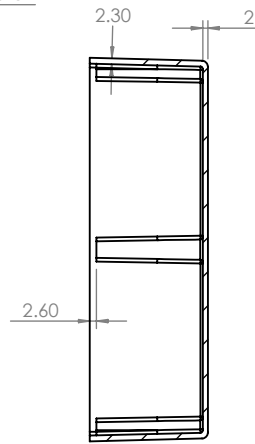
SECTION B-B



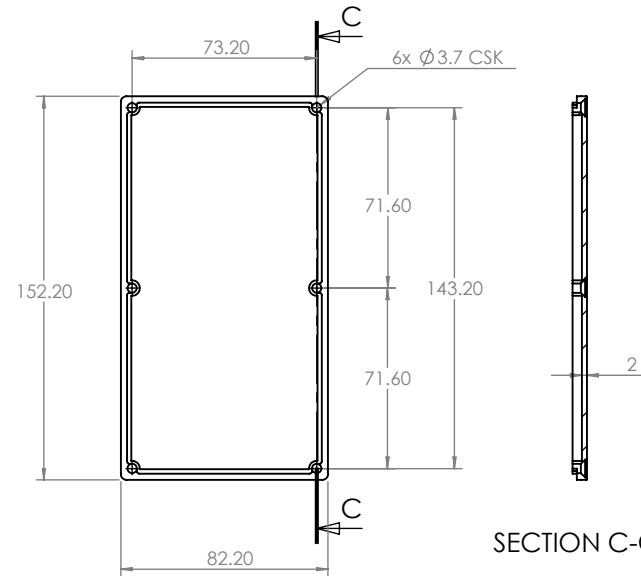
ISO VIEW
1:4



BASE

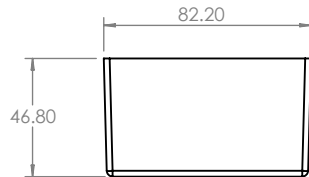




SECTION A-A



LID

SECTION C-C



 CAMDENBOSS JAMES CARTER RD, MILDENHALL, SUFFOLK. IP28 7DE TEL: 01 638 716101 FAX: 01 638 716554 EMAIL: SALES@BOSS-ENCLOSURES.CO.UK WEB: WWW.BOSS-ENCLOSURES.CO.UK				UNLESS OTHERWISE SPECIFIED: DIMENSIONS ARE IN MILLIMETERS		DO NOT SCALE DRAWING		REVISION. O		
				FINISH. SMOOTH		TITLE: ASSEMBLY DRG FPR 5100-476 BOX				
DRAWN S.HARDINGE		SIGNED SJH		DATE 14/12/05		MATERIAL. DIE-CAST ALUMINIUM		DWG NO. 5100-476		A4
CHKD -		-		-		PROJECTION. 		SCALE. 1 : 3		SHEET 1 OF 1