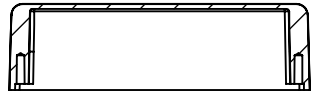


OVERALL ASSEMBLY DIMENSIONS:

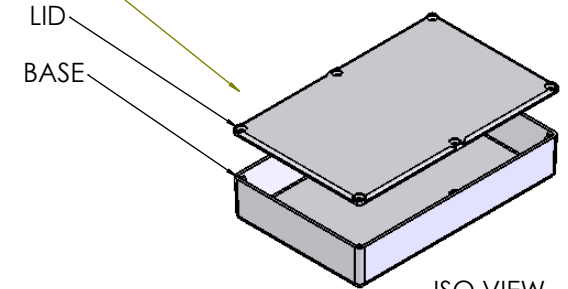
EXTERNAL - 187.4 x 119.2 x 38.2

INTERNAL - 182.8 x 105.6 x 34.2

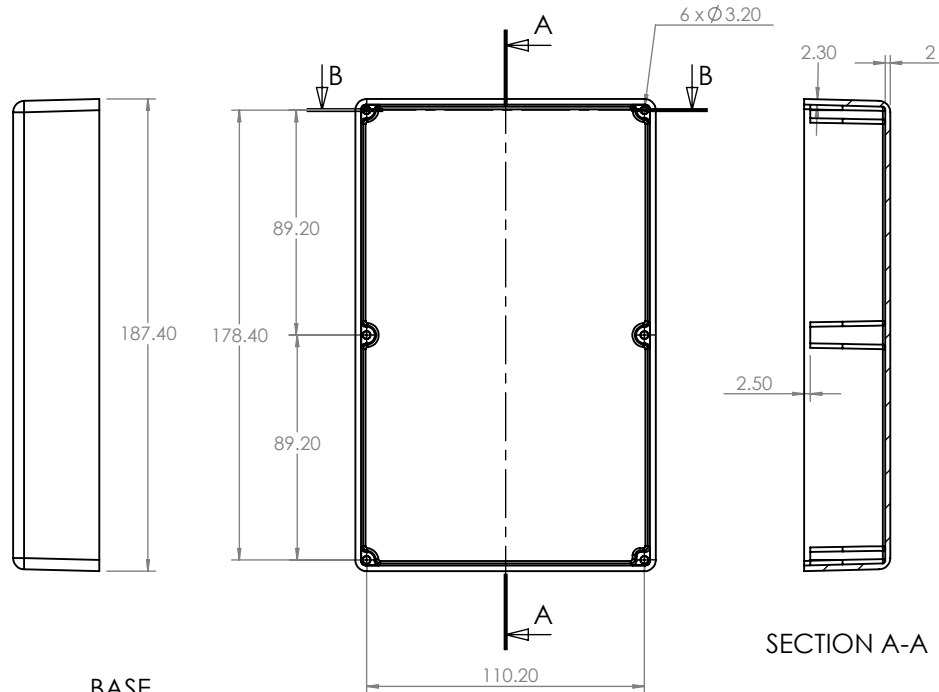


SECTION B-B

SELF TAPPING SCREW





ISO VIEW
1:5



BASE

SECTION A-A

 CAMDENBOSS JAMES CARTER RD, MILDENHALL, SUFFOLK. IP28 7DE TEL: 01 638 716101 FAX: 01 638 716554 EMAIL: SALES@BOSS-ENCLOSURES.CO.UK WEB: www.BOSS-ENCLOSURES.CO.UK				UNLESS OTHERWISE SPECIFIED: DIMENSIONS ARE IN MILLIMETERS		DO NOT SCALE DRAWING		REVISION. O		
				FINISH. SMOOTH		TITLE: ASSEMBLY DRG FOR 5100-477				
DRAWN S.HARDINGE		SIGNED SJH		DATE 20/12/05		MATERIAL. DIE-CAST ALUMINIUM		DWG NO. 5100-477		A4
CHK'D -		-		-		PROJECTION. 		SCALE. 1 : 3		SHEET 1 OF 1