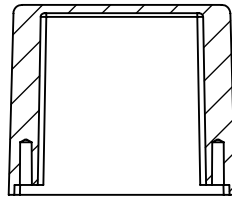


OVERALL ASSEMBLY DIMENSIONS:

EXTERNAL - 110.7 x 59.9 x 54.2

INTERNAL - 107.7 x 56.9 x 50

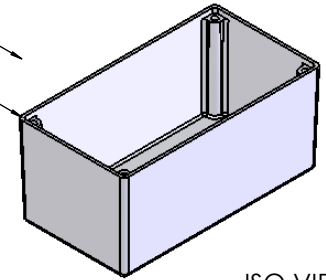


SECTION B-B

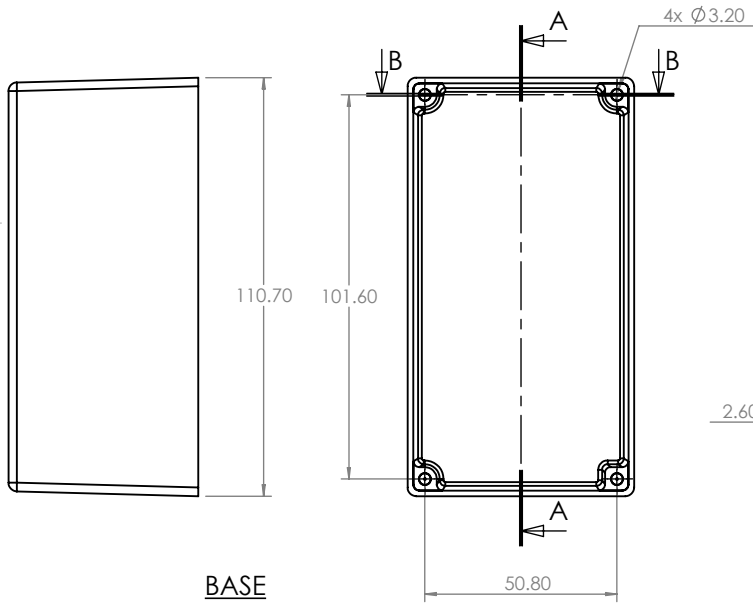
SELF TAPPING SCREW

LID

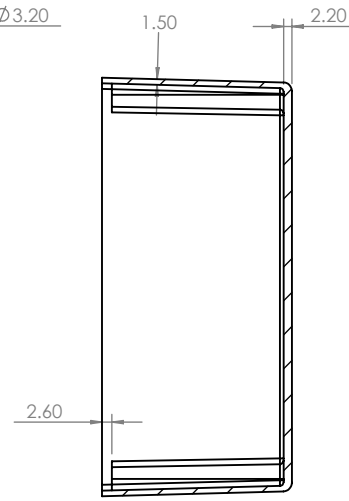
BASE



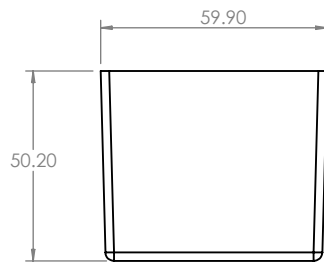
ISO VIEW
1:3





BASE



SECTION A-A



 CAMDENBOSS JAMES CARTER RD, MILDENHALL, SUFFOLK. IP28 7DE TEL: 01 638 716101 FAX: 01 638 716554 EMAIL: SALES@BOSS-ENCLOSURES.CO.UK WEB: www.BOSS-ENCLOSURES.CO.UK		UNLESS OTHERWISE SPECIFIED: DIMENSIONS ARE IN MILLIMETERS		DO NOT SCALE DRAWING	REVISION: 0				
		FINISH: SMOOTH		TITLE: DRG FOR 5100-479 BOX					
DRAWN	S.HARDINGE	SIGNED	SJH	DATE	08/12/05	MATERIAL: DIE-CAST ALUMINIUM	DWG NO.	5100-479	A4
CHK'D	-	-	-	PROJECTION.		SCALE: 1 : 2	SHEET 1 OF 1		