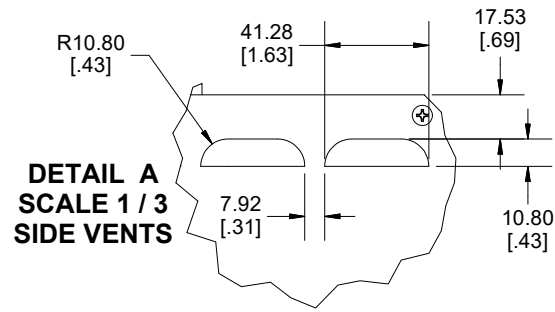
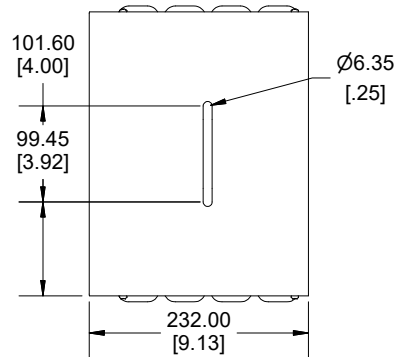
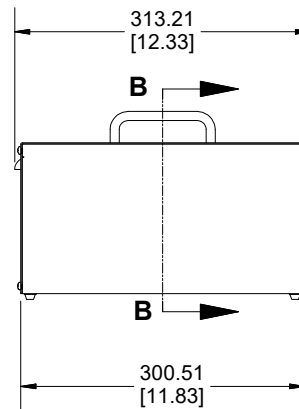


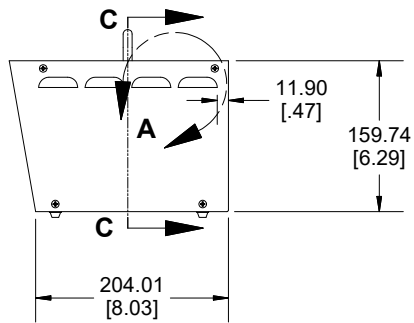
TOP VIEW OF ENCLOSURE



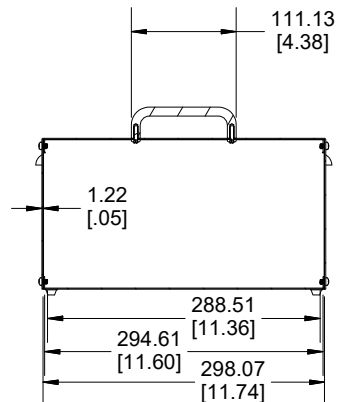
BACK VIEW OF ENCLOSURE



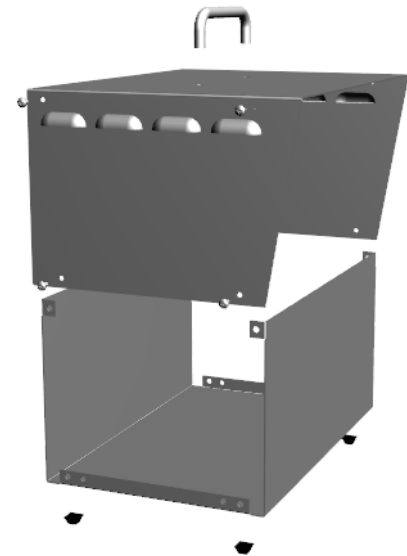
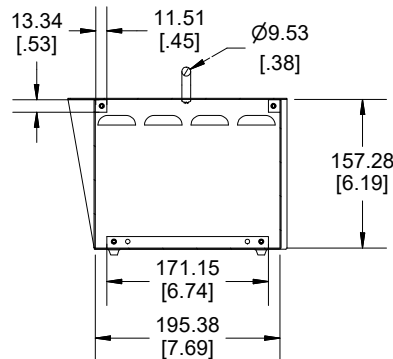
SIDE VIEW OF ENCLOSURE



SECTION C-C FRONT VIEW



SECTION B-B SIDE VIEW



Enclosures can be Factory Modified (Milling, Drilling, Printing etc.)
 Contact Factory (modshop@hammfg.com) for quotes
 Solid models of this enclosure available in .stp or .x_t
 (Part number and text placement/orientation on our products are subject to change,
 we do not recommend using them as a locating reference for modification purposes)

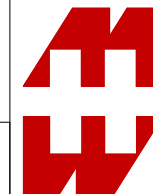
NOTE

Case Includes Adhesive Rubber Feet, Handle Kit and Required Hardware.
 Enclosure Case is Made of 0.05" Steel.

PART NUMBERS

518-0920 Enclosure	
Smooth Light Grey Top Case Dark Satin Grey Base Case	518-0920
ACCESSORIES	
Plated Cover Screws (Pkg 50) [M4 x 6mm Machine screw]	SC19480-50
Black Self-Adhesive Rubber Feet (Pkg 4)	1421T3

Dimensions:
 mm
 [inches]



**HAMMOND
 MANUFACTURING.**

518-0920

www.hammondmfg.com