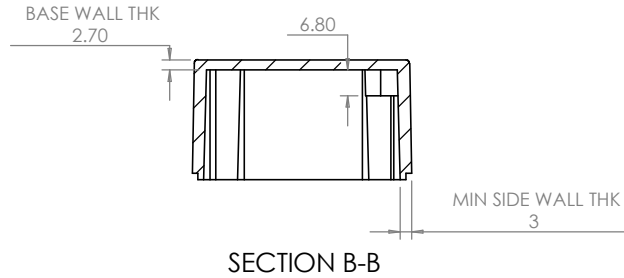


OVERALL ASSEMBLY DIMENSIONS:

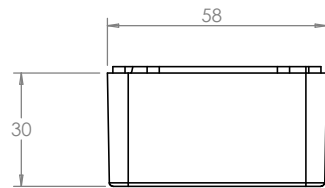
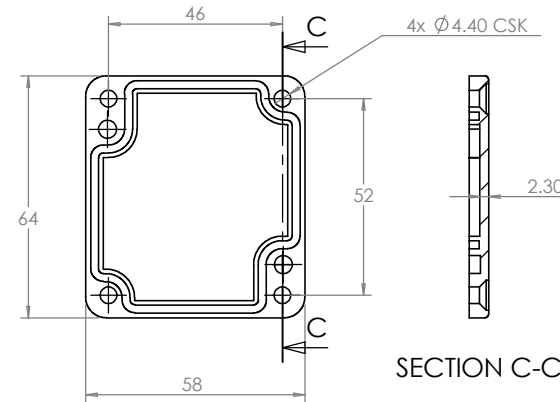
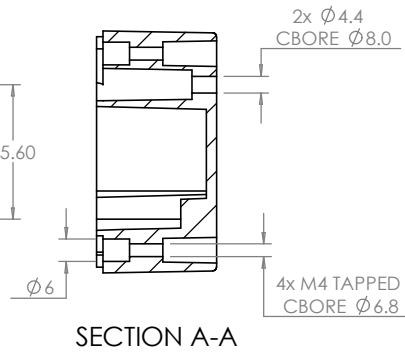
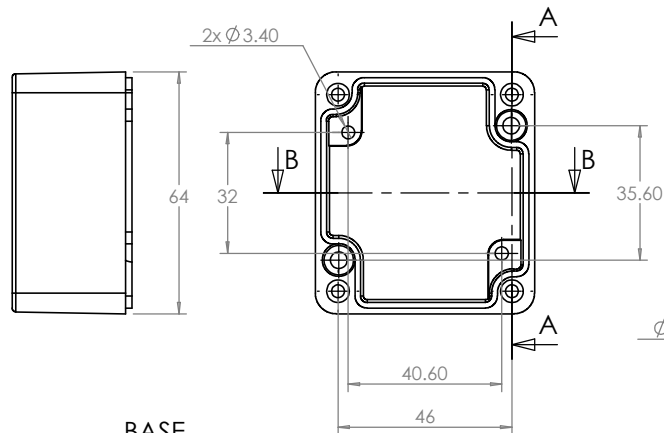
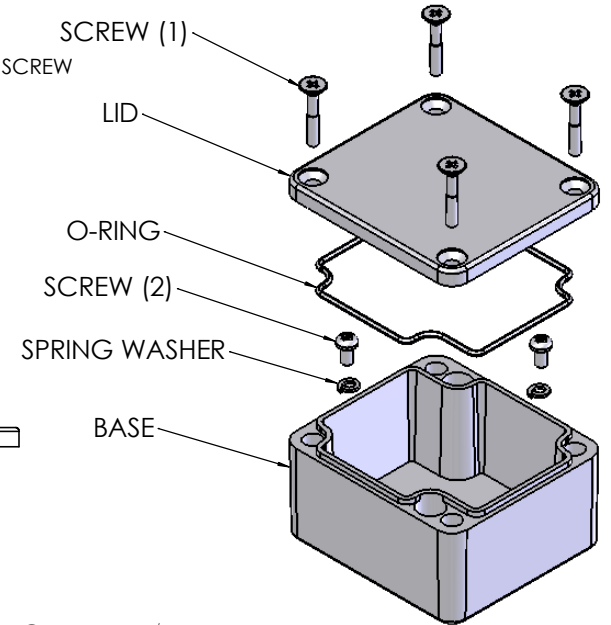
EXTERNAL - 64 x 58 x 35.1



INTERNAL - 58 x 52 x 30



(1) 4x M4 UNIT ASSEMBLY SCREW

(2) 2x SELF-TAPPING INTERNAL MOUNTING SCREW



 CAMDENBOSS JAMES CARTER RD, MILDENHALL, SUFFOLK. IP28 7DE TEL: 01638 716101 FAX: 01638 716554 EMAIL: Sales@CamdenBoss.com WEB: www.CamdenBoss.com		UNLESS OTHERWISE SPECIFIED: DIMENSIONS ARE IN MILLIMETERS		DO NOT SCALE DRAWING	REVISION: 0
		FINISH: SMOOTH		TITLE: ASSEMBLY DRG FOR 5500-04	
DRAWN	S.HARDINGE	SJH	04/01/06	MATERIAL: DIE-CAST ALUMINIUM	DWG NO. 5500-04
CHK'D	-	-	-	PROJECTION: 	SCALE: 1 : 2
				SHEET 1 OF 1	

A4