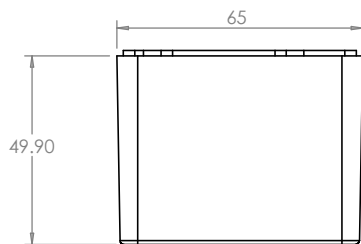
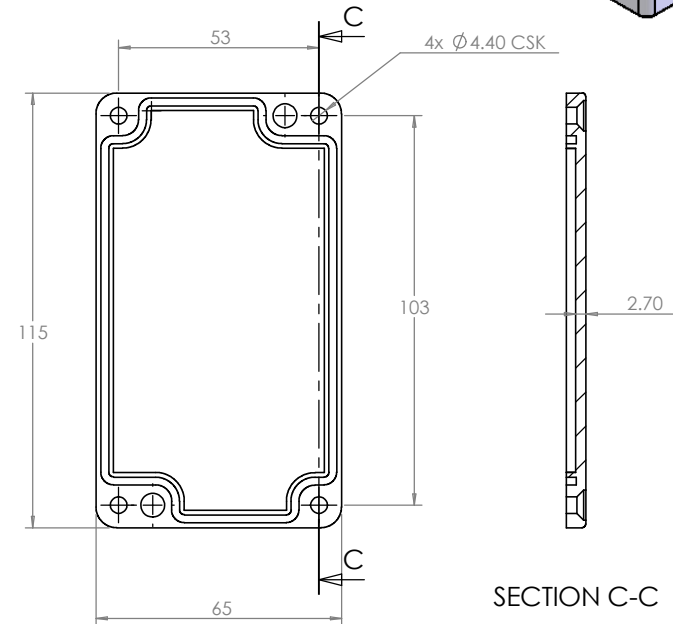
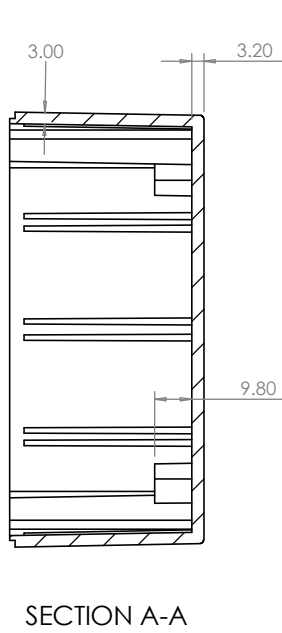
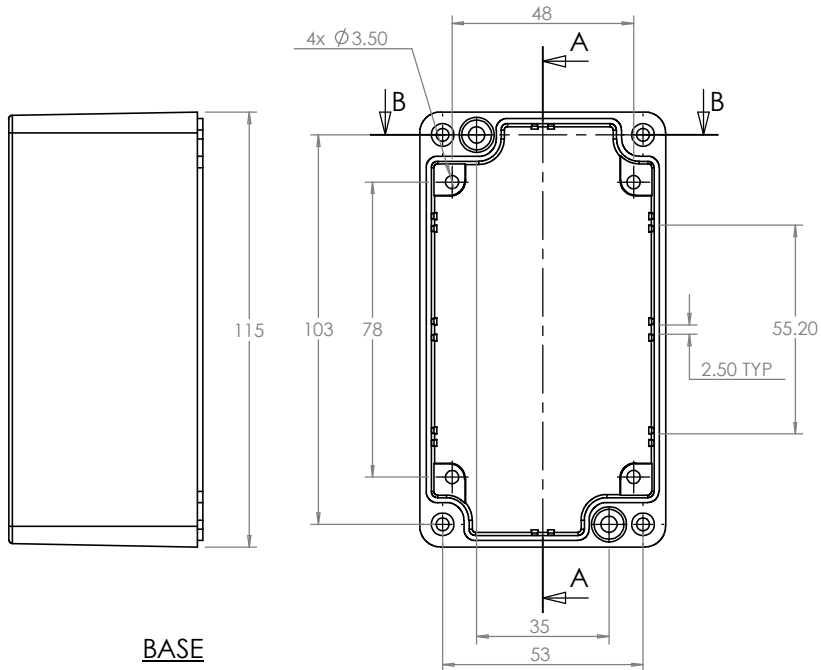
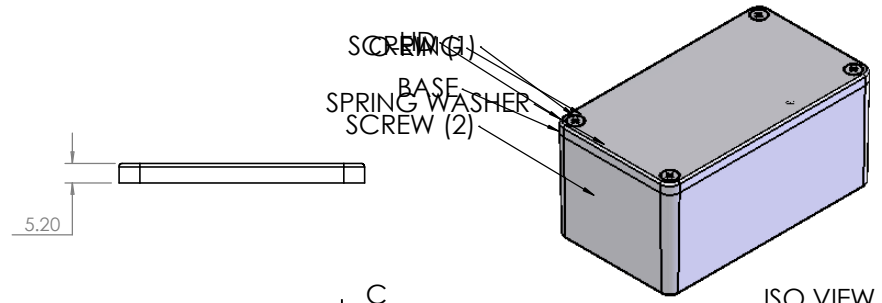
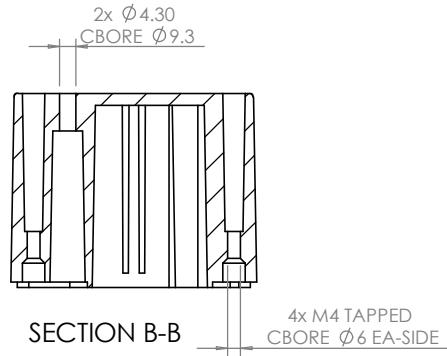



OVERALL ASSEMBLY DIMENSIONS:

EXTERNAL - 115 x 65 x 55.1

INTERNAL - 109 x 59 x 49.2

- (1) 4x M4 UNIT ASSEMBLY SCREW
- (2) 2x SELF-TAPPING INTERNAL MOUNTING SCREW



 CAMDENBOSS JAMES CARTER RD, MILDENHALL, SUFFOLK. IP28 7DE TEL: 01638 716101 FAX: 01638 716554 EMAIL: Sales@CamdenBoss.com WEB: www.CamdenBoss.com				UNLESS OTHERWISE SPECIFIED: DIMENSIONS ARE IN MILLIMETERS		DO NOT SCALE DRAWING		REVISION. 0	
				FINISH. SMOOTH		TITLE: ASSEMBLY DRG FOR 5500-11			
DRAWN S.HARDINGE		SIGNED SJH		DATE 05/01/06		MATERIAL. DIE-CAST ALUMINIUM		DWG NO. 5500-11	
CHK'D -		-		-		PROJECTION.		SCALE: 1:2	
								SHEET 1 OF 1	

A4