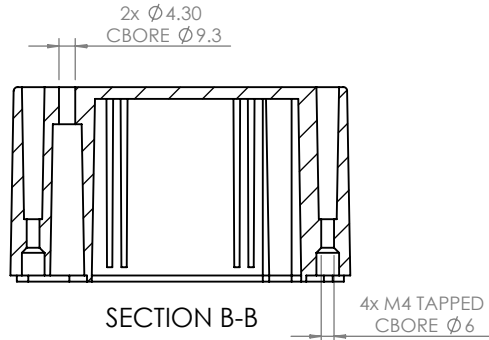


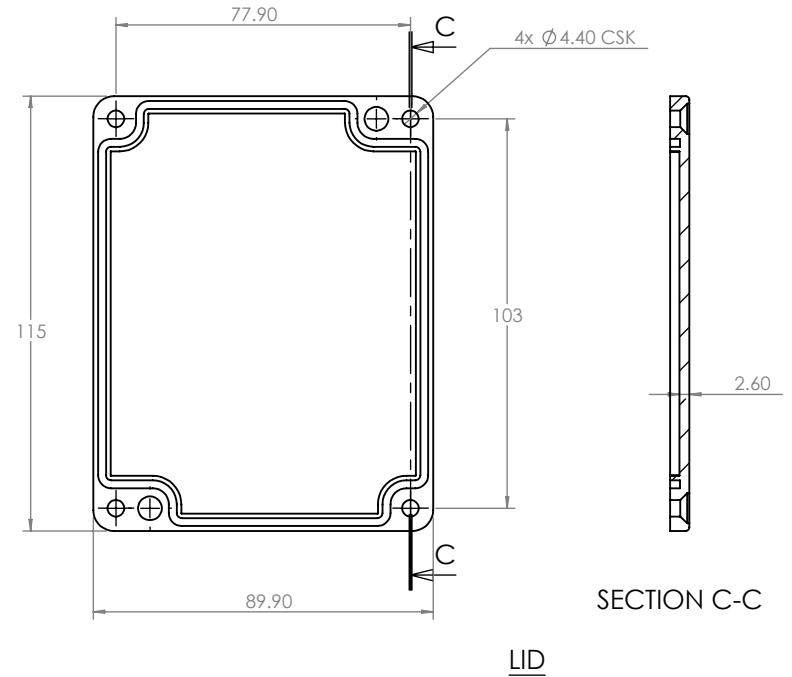
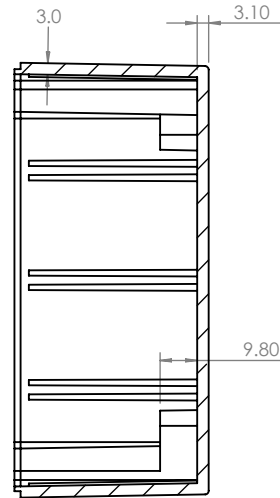
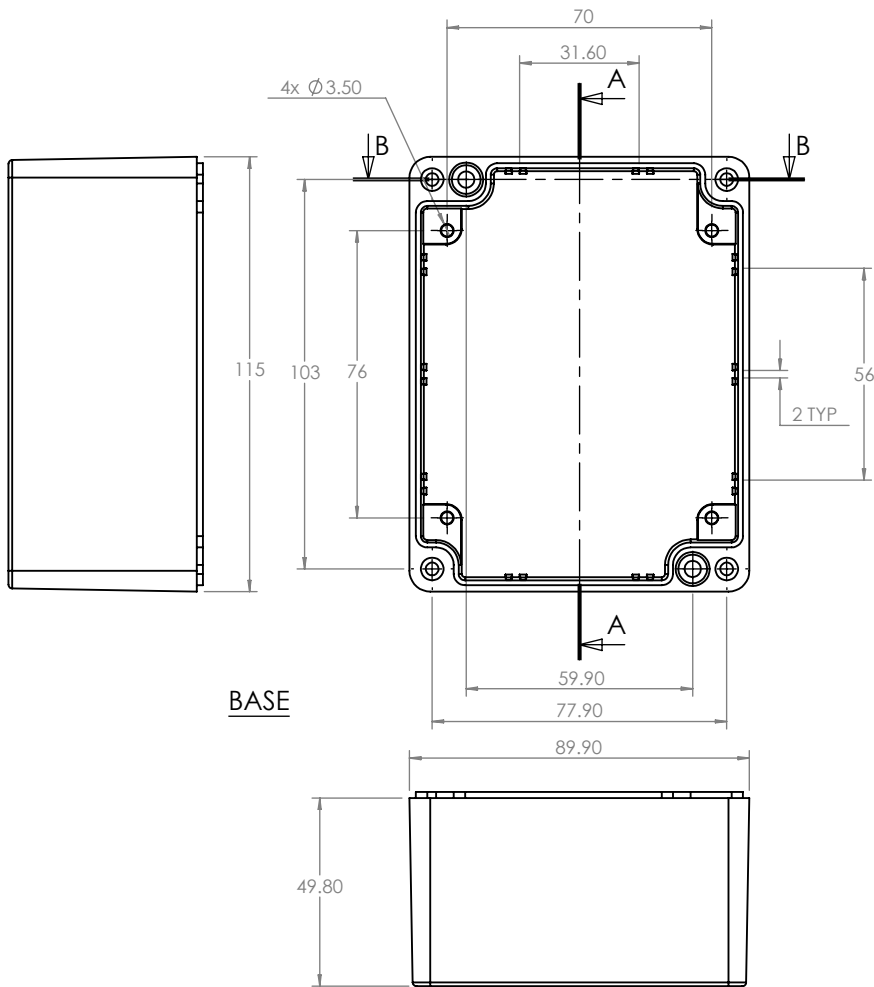
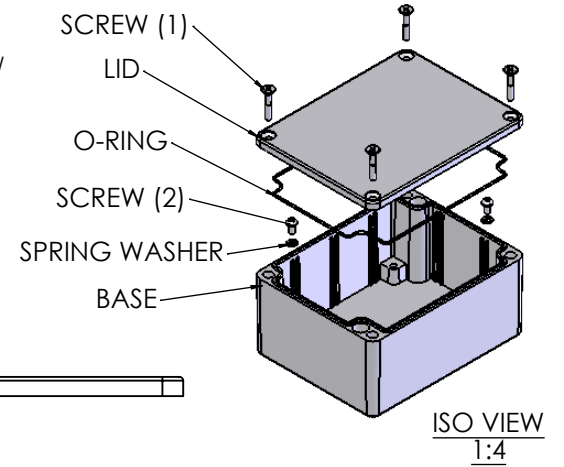
OVERALL ASSEMBLY DIMENSIONS:



EXTERNAL - 115 x 89.9 x 54.9

INTERNAL - 109 x 83.9 x 49.2



- (1) 4x M4 UNIT ASSEMBLY SCREW
- (2) 2x SELF-TAPPING INTERNAL MOUNTING SCREW



 CAMDENBOSS JAMES CARTER RD, MILDENHALL, SUFFOLK, IP28 7DE TEL: 01638 716101 FAX: 01638 716554 EMAIL: Sales@CamdenBoss.com WEB: www.CamdenBoss.com				UNLESS OTHERWISE SPECIFIED: DIMENSIONS ARE IN MILLIMETERS		DO NOT SCALE DRAWING		REVISION. 0		
				FINISH. SMOOTH		TITLE: ASSEMBLY DRG FOR 5500-13				
DRAWN S.HARDINGE		SIGNED SJH		DATE 05/01/06		MATERIAL. DIE-CAST ALUMINIUM		DWG NO. 5500-13		A4
CHKD -		-		-		PROJECTION. 		SCALE: 1 : 2		SHEET 1 OF 1