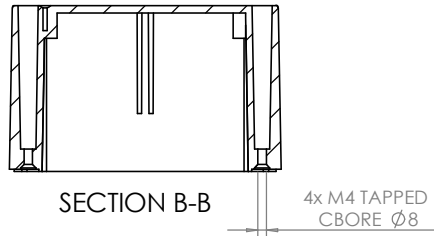


OVERALL ASSEMBLY DIMENSIONS:

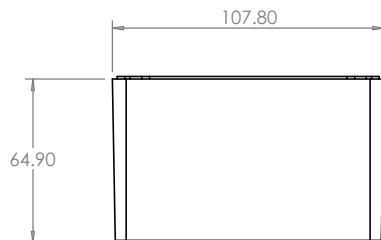
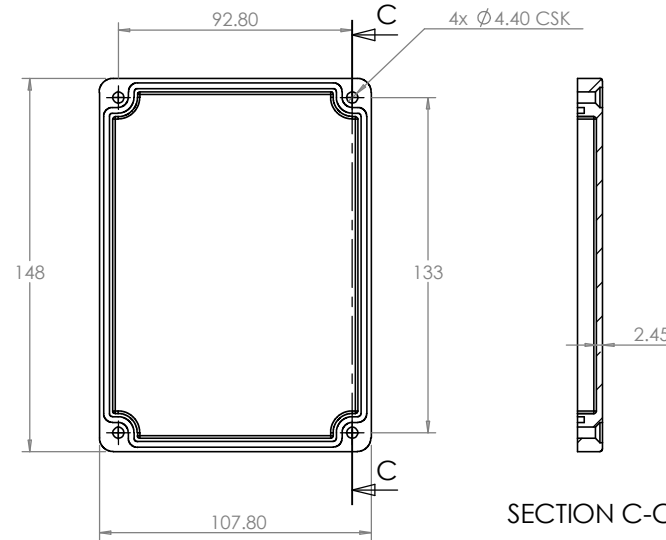
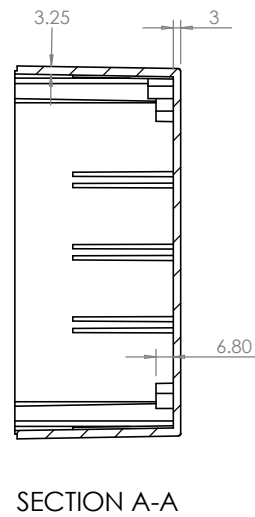
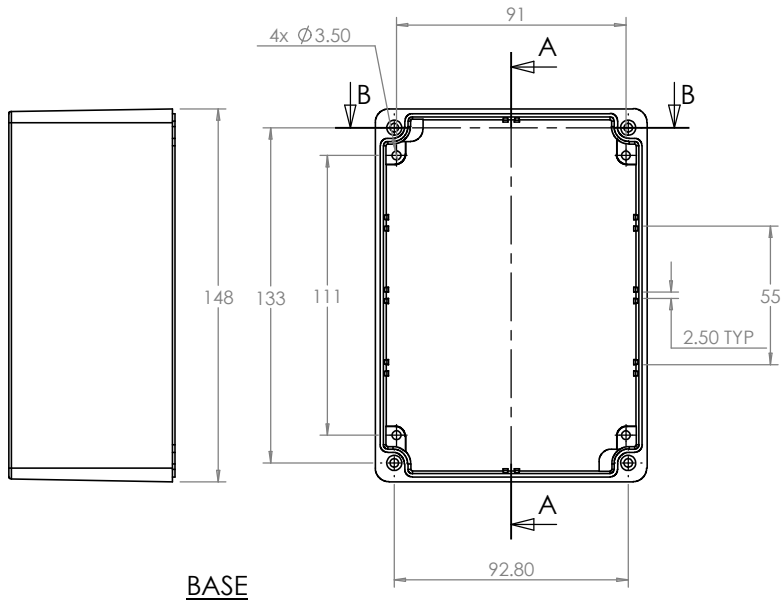
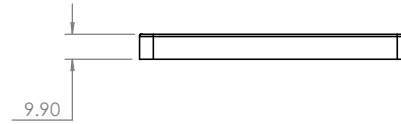
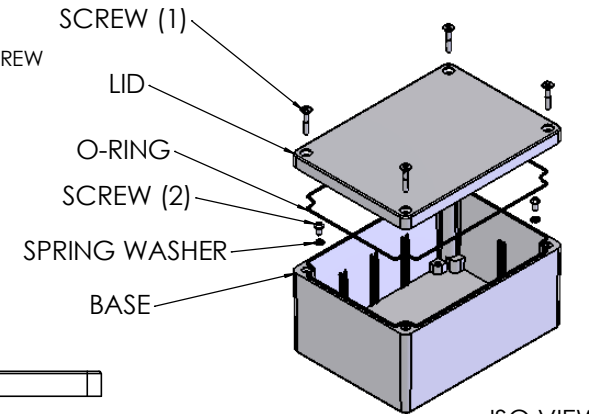
EXTERNAL - 148 x 107.8 x 74.8



INTERNAL - 141.5 x 101.3 x 69.3



(1) 4x M4 UNIT ASSEMBLY SCREW

(2) 2x SELF-TAPPING INTERNAL MOUNTING SCREW



 CAMDENBOSS JAMES CARTER RD, MILDENHALL, SUFFOLK. IP28 7DE TEL: 01638 716101 FAX: 01638 716554 EMAIL: Sales@CamdenBoss.com WEB: www.CamdenBoss.com		UNLESS OTHERWISE SPECIFIED: DIMENSIONS ARE IN MILLIMETERS		DO NOT SCALE DRAWING		REVISION. 0	
		FINISH. SMOOTH		TITLE: ASSEMBLY DRG FOR 5500-15			
DRAWN S.HARDINGE		SIGNED SJH		DATE 06/01/06		MATERIAL. DIE-CAST ALUMINIUM	
CHK'D -		-		-		DWG NO. 5500-15	
PROJECTION. 				SCALE. 1 : 3		SHEET 1 OF 1	
						A4	