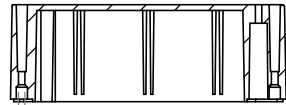


OVERALL ASSEMBLY DIMENSIONS:

EXTERNAL - 222.5 x 145.8 x 54.7

INTERNAL - 116.5 x 139.8 x 49.2

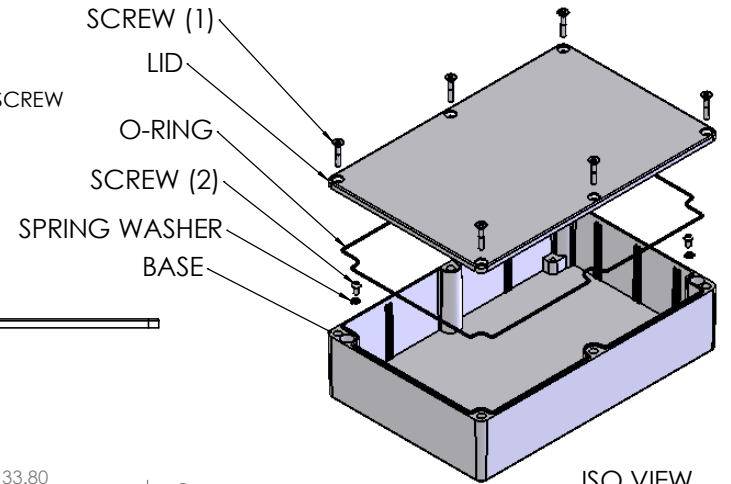
2x $\phi 3.40$
CBORE $\phi 9.9$



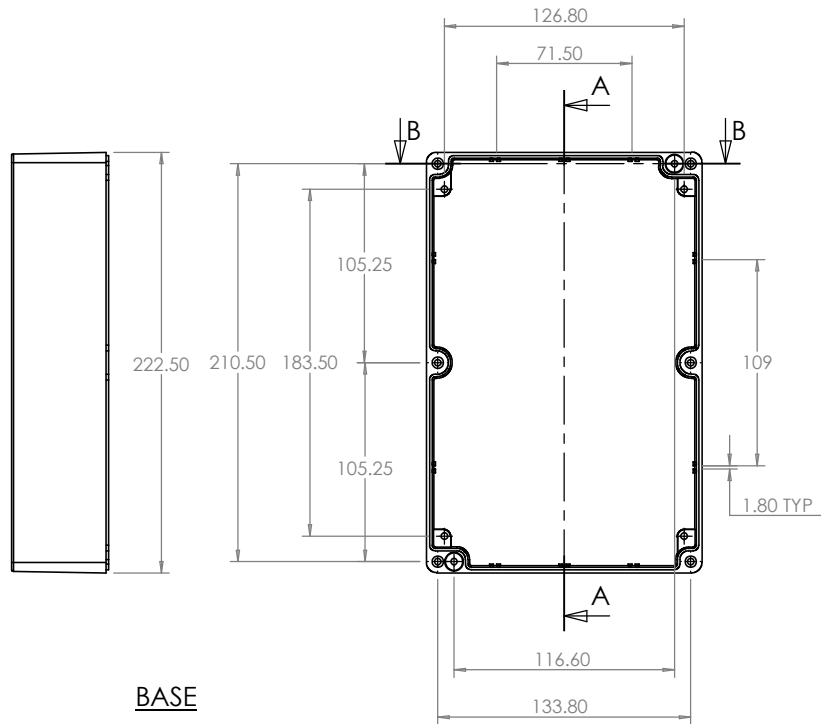
6x M4 TAPPED
CBORE $\phi 5.9$ EA-SIDE

SECTION B-B

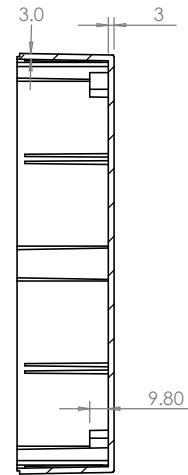
- (1) 6x M4 UNIT ASSEMBLY SCREW
- (2) 2x SELF-TAPPING INTERNAL MOUNTING SCREW



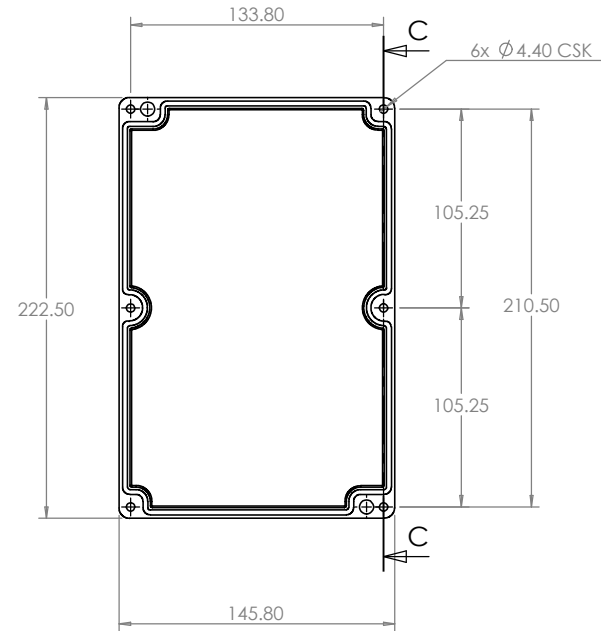
ISO VIEW
1:5



BASE





SECTION A-A



SECTION C-C

LID

 CAMDENBOSS JAMES CARTER RD, MILDENHALL, SUFFOLK. IP28 7DE TEL: 01638 716101 FAX: 01638 716554 EMAIL: Sales@CamdenBoss.com WEB: www.CamdenBoss.com				UNLESS OTHERWISE SPECIFIED: DIMENSIONS ARE IN MILLIMETERS		DO NOT SCALE DRAWING		REVISION. 0	
				FINISH: SMOOTH		TITLE: ASSEMBLY DRG FOR 5500-24			
DRAWN S.HARDINGE		SIGNED SJH		DATE 10/01/06		MATERIAL: DIE-CAST ALUMINIUM		DWG NO. 5500-24	
CHK'D -		-		-		PROJECTION. 		SCALE: 1 : 4	
								SHEET 1 OF 1	

A4