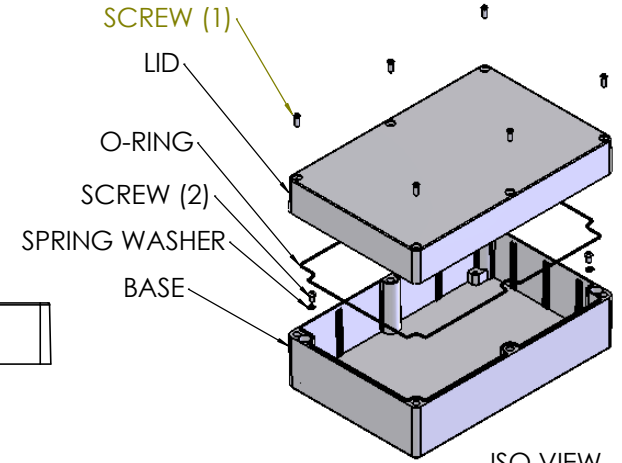


OVERALL ASSEMBLY DIMENSIONS:

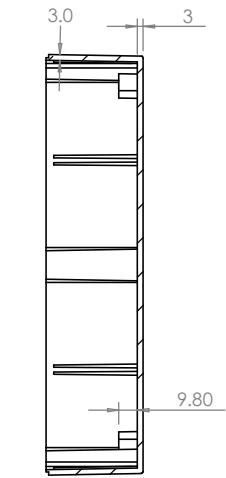
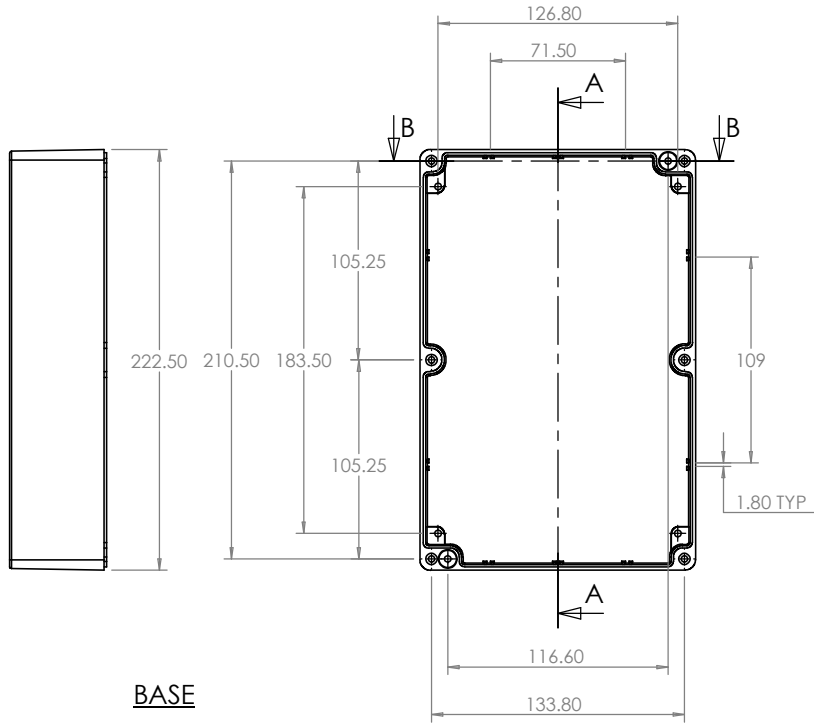
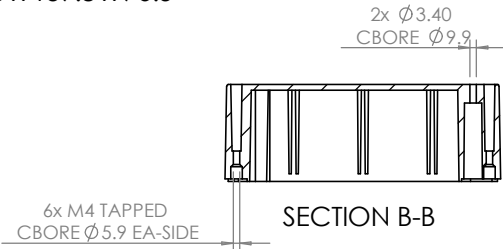
EXTERNAL - 222.5 x 145.8 x 82.2

INTERNAL - 216.5 x 139.8 x 76.5

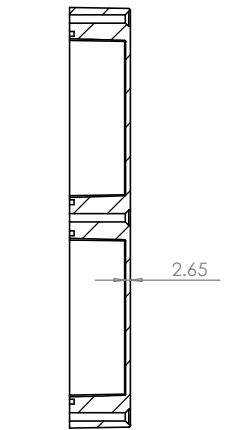
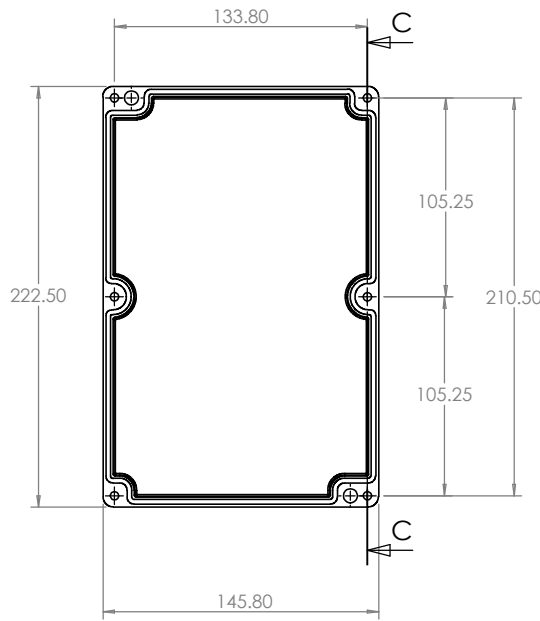
- (1) 6x M4 UNIT ASSEMBLY SCREW
- (2) 2x SELF-TAPPING INTERNAL MOUNTING SCREW





ISO VIEW  
1:6



SECTION A-A



SECTION C-C  
LID

 <b>CAMDENBOSS</b> JAMES CARTER RD, MILDENHALL, SUFFOLK. IP28 7DE TEL: 01638 716101 FAX: 01638 716554 EMAIL: Sales@CamdenBoss.com WEB: www.CamdenBoss.com				UNLESS OTHERWISE SPECIFIED: DIMENSIONS ARE IN MILLIMETERS		DO NOT SCALE DRAWING		REVISION. 0	
				FINISH: <b>SMOOTH</b>		TITLE: <b>ASSEMBLY DRG FOR 5500-25</b>			
DRAWN S.HARDINGE		SIGNED SJH		DATE 10/01/06		MATERIAL: DIE-CAST ALUMINIUM		DWG NO. <b>5500-25</b>	
CHK'D -		-		-		PROJECTION. 		SCALE. 1 : 4	
								SHEET 1 OF 1	

A4