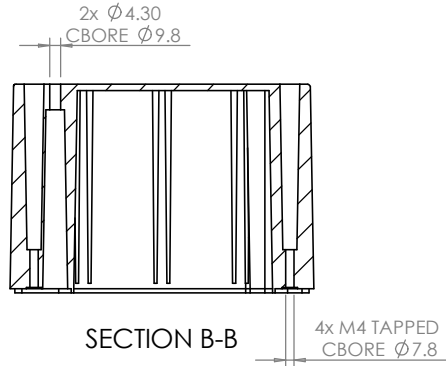


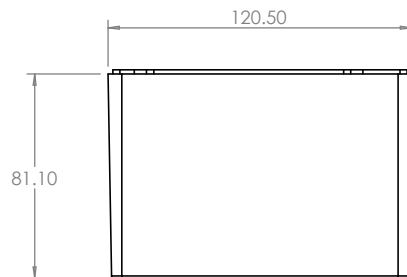
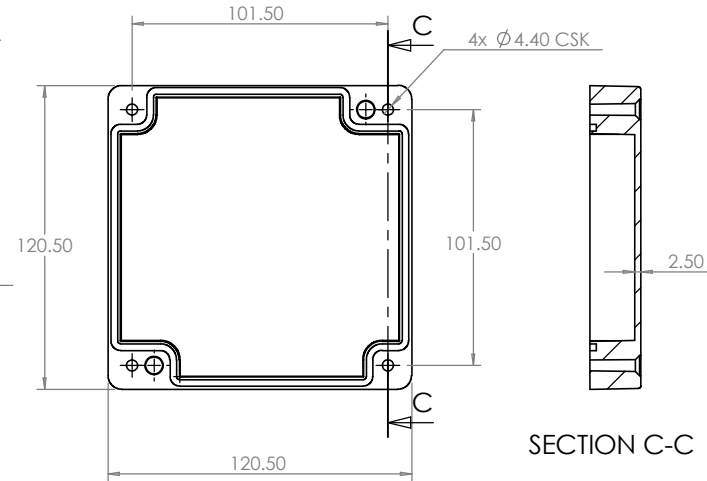
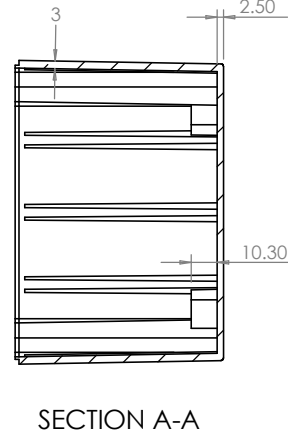
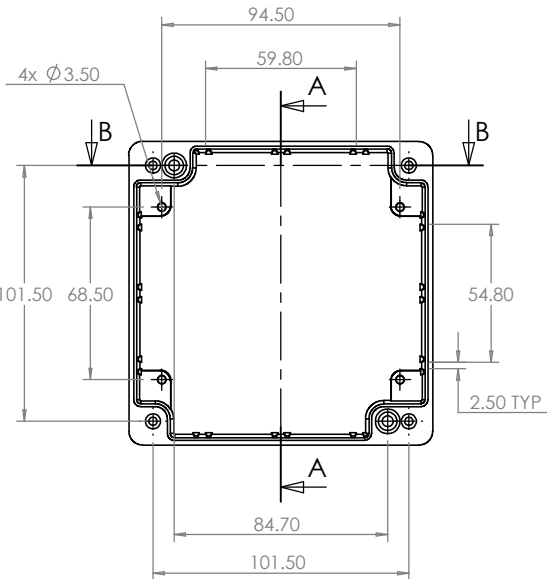
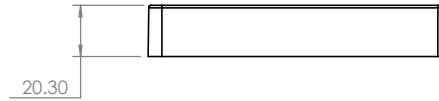
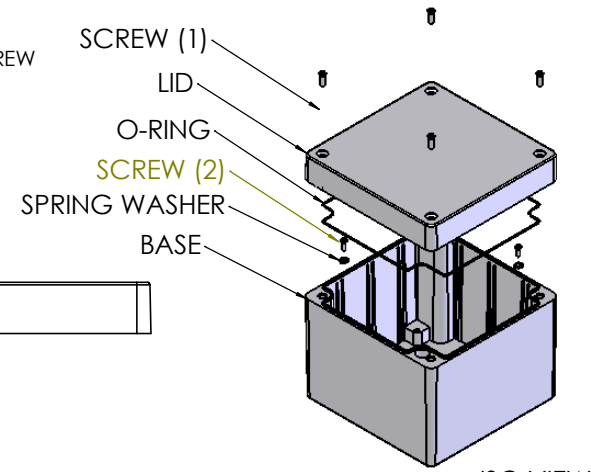
OVERALL ASSEMBLY DIMENSIONS:



EXTERNAL - 120.5 X 120.5 x 101.4

INTERNAL - 114.5 x 114.5 x 96.4



- (1) 4x M4 UNIT ASSEMBLY SCREW
- (2) 2x SELF-TAPPING INTERNAL MOUNTING SCREW



 CAMDENBOSS JAMES CARTER RD, MILDENHALL, SUFFOLK. IP28 7DE TEL: 01638 716101 FAX: 01638 716554 EMAIL: Sales@CamdenBoss.com WEB: www.CamdenBoss.com		UNLESS OTHERWISE SPECIFIED: DIMENSIONS ARE IN MILLIMETERS		DO NOT SCALE DRAWING	REVISION. 0
		FINISH: SMOOTH		TITLE: ASSEMBLY DRG FOR 5500-37	
DRAWN	NAME S.HARDINGE	SIGNED SJH	DATE 06/01/06	MATERIAL: DIE-CAST ALUMINIUM	DWG NO. 5500-37
CHK'D	-	-	-	PROJECTION. 	SCALE: 1 : 3
				SHEET 1 OF 1	

A4