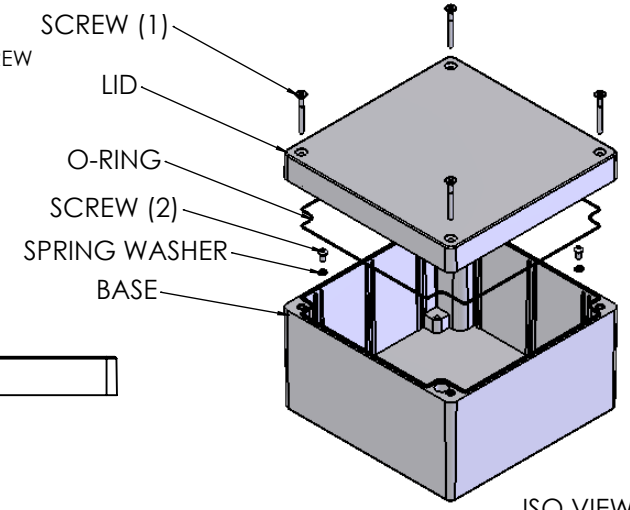
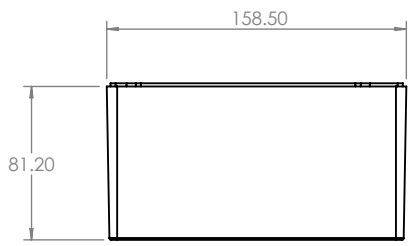
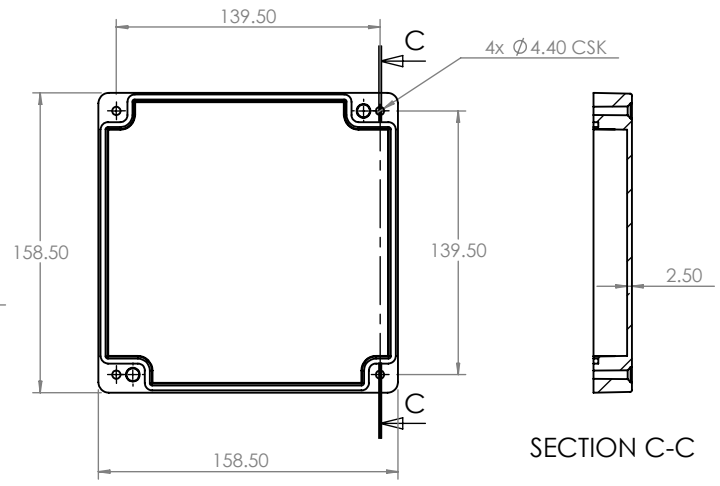
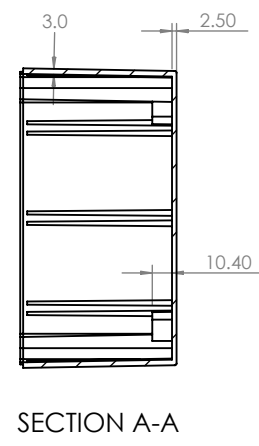
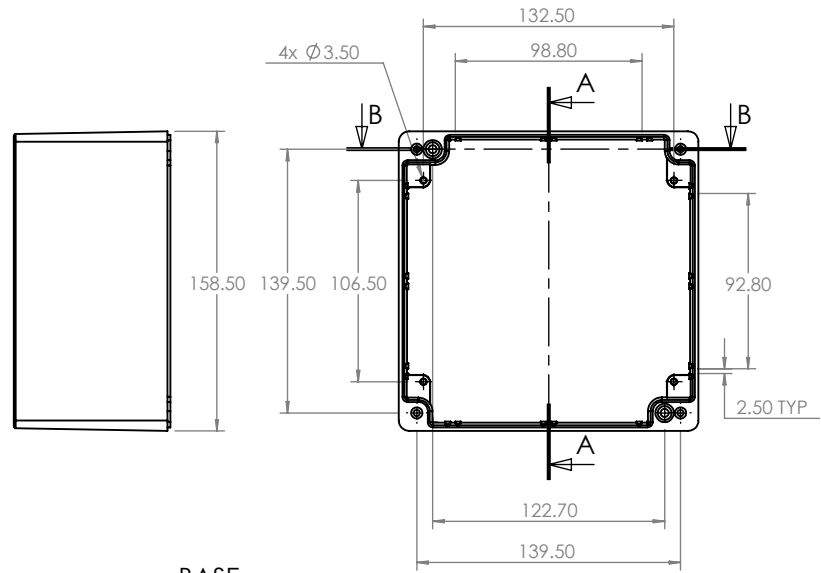
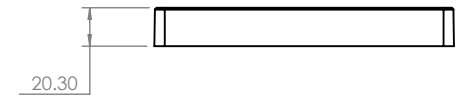
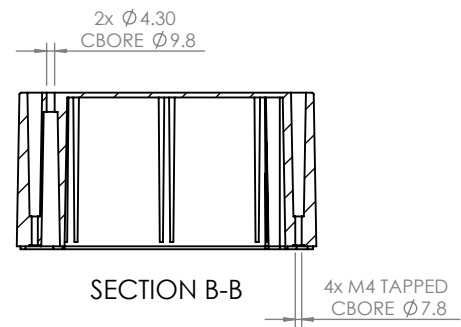




OVERALL ASSEMBLY DIMENSIONS:  
 EXTERNAL - 158.5 x 158.5 x 101.5  
 INTERNAL - 152.5 x 152.5 x 96.5

- (1) 4x M4 UNIT ASSEMBLY SCREW
- (2) 2x SELF-TAPPING INTERNAL MOUNTING SCREW



ISO VIEW  
1:5



 <b>CAMDENBOSS</b> JAMES CARTER RD, MILDENHALL, SUFFOLK. IP28 7DE TEL: 01638 716101 FAX: 01638 716554 EMAIL: Sales@CamdenBoss.com WEB: www.CamdenBoss.com		UNLESS OTHERWISE SPECIFIED: DIMENSIONS ARE IN MILLIMETERS		DO NOT SCALE DRAWING	REVISION. 0
		FINISH: <b>SMOOTH</b>		TITLE: <b>ASSEMBLY DRG FOR 5500-39</b>	
DRAWN	S.HARDINGE	SJH	06/01/06	MATERIAL: DIE-CAST ALUMINIUM	DWG NO. <b>5500-39</b>
CHKD	-	-	-	PROJECTION. 	SCALE: 1 : 4
				SHEET 1 OF 1	

A4