

268
HANDHELD CASES

292
UNIVERSAL
PLASTIC
ENCLOSURES

317
HEAVY DUTY
AND ELECTRICAL
ENCLOSURES

341
DEVELOPMENT
BOARD
ENCLOSURES

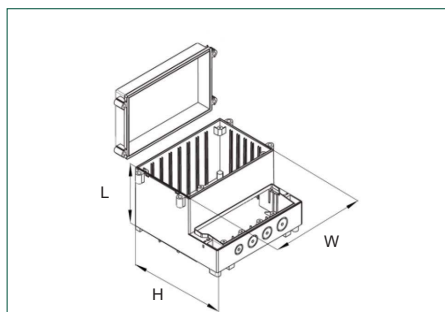
369
VERSATILE IOT
AND SENSOR
ENCLOSURES

7710 Series Hinged Door Wall Mount Electrical Enclosure

Product overview

Wall mounted enclosures with a transparent and hinged polycarbonate cover. Designed to house electronic applications.

- Moulded in high quality flame retardant PC and PC/ABS
- Suitable for high temperatures
- Protects controls and components indoors or outdoors
- Two detachable hinges for quick access
- Fastening pillars and guide grooves for vertical and horizontal PCB mounting
- Hinges can be left or right mounted
- DIN Rail mountable
- EPDM gasket for IP65 seal pre-inserted
- 7710 series has been designed to meet the requirements of IP65



CHD77



SPECIFICATION

Materials	Box: PC/ABS UL94-V0 Clear cover: PC UL94-V0
Operating temperature	-40°C to +120°C
Ingress protection class	7710 series has been designed to meet the requirements of IP65
Standard colours	Light grey, similar to RAL 7038, transparent lid
Standard unit includes	Box, lid, hinges, catch, fixing screws and neoprene gasket

PART NO.	LENGTH	WIDTH	HEIGHT
CHD771001	93mm	166mm	161mm
CHD771002	121mm	166mm	161mm
CHD771003	104.5mm	213mm	185mm
CHD771004	132.5mm	256mm	217mm
CHD771005	158mm	296mm	281mm

ACCESSORIES

Wall mounting kit



PART NO.	DESCRIPTION
CHD7700MK	Mounting brackets

KEY FEATURES

Internal DIN Rail mounting positions | Padlock feature | IP65



PLASTIC ENCLOSURES

332

+44 (0)1638 716101 | sales@camdenboss.com | www.camdenboss.com

We operate a constant improvement policy, our products are subject to change without notice.

Vers 2



FM 28614