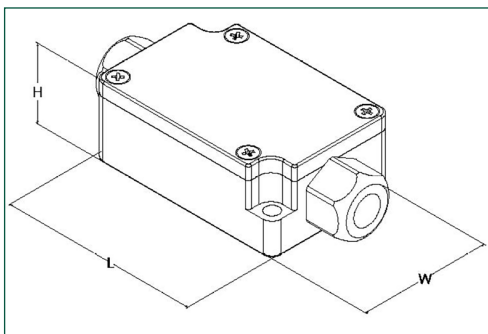


89 Series Terminal Block Junction Box Enclosure



Product overview

- Integrated junction box consisting of cable glands and one terminal block
- IP65 rated
- Available in 3, 4 and 6 poles
- Supplied with 2pcs each of Ø5 and Ø7.4 rubber cable bushes
- Suitable for industrial applications, power cable joints wiring for motors or sensors
- 89 series has been designed to meet the requirements of IP65



SPECIFICATION

Rated voltage	250V
Rated current	15A
Applicable wire	1.25mm ²
Standard tightening torque	0.5N
Operating temperature	-20°C to +75°C
Material:	
Cover, base and cable cap	PBT (UL94-V0)
Rubber bush	EPDM
Gasket	Polyurethane
Conductive plate	Brass
Terminal screw	Steel M3
Cover screw	Stainless steel M3
Protection class	89 series has been designed to meet the requirements of IP65

GREY	LENGTH	WIDTH	HEIGHT	DESCRIPTION
CJB893PLG	33mm	65mm	24mm	3 pole
CJB894PLG	40mm	60mm	24mm	4 pole
CJB896PLG	50mm	70mm	24mm	6 pole

KEY FEATURES

Integrated terminal block | Suitable for industrial applications

