

OVERALL ASSEMBLY DIMENSIONS:

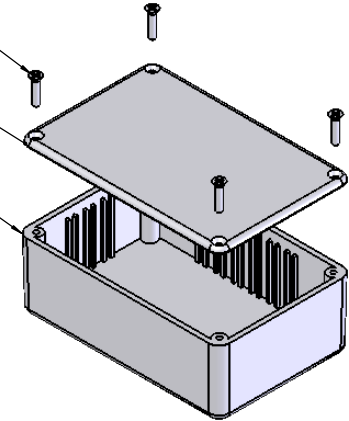
EXTERNAL - 75 x 50 x 27

INTERNAL - 71.4 x 46.4 x 22.4

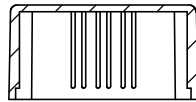
CSK SELF TAPPING SCREW

LID

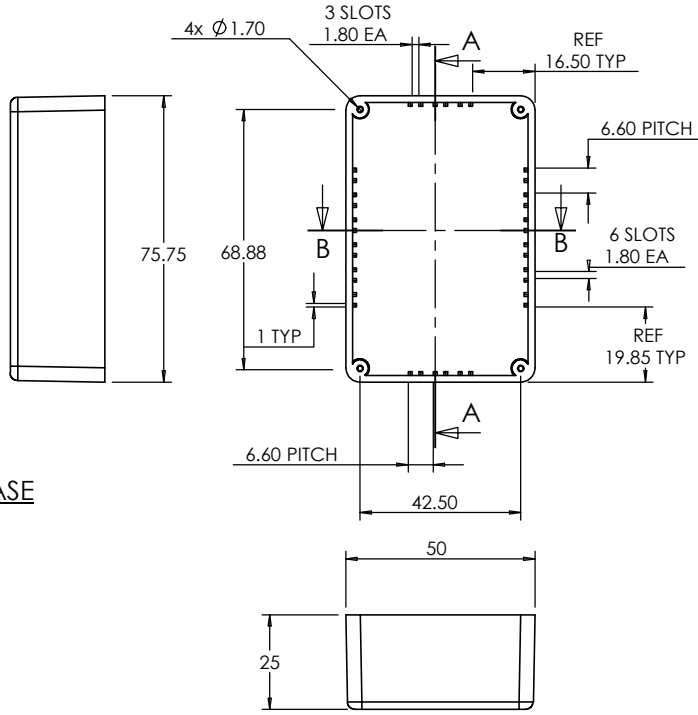
BASE



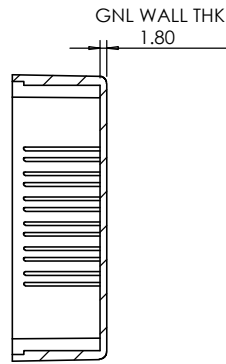
ISO VIEW



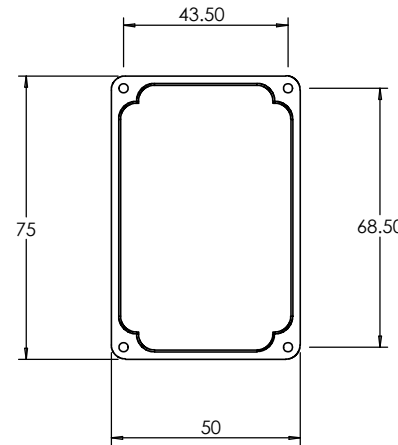
SECTION B-B




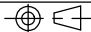
BASE



SECTION A-A



LID

 CAMDENBOSS JAMES CARTER RD, MILDENHALL, SUFFOLK. IP28 7DE TEL: 01638 716101 FAX: 01638 716554 EMAIL: Sales@CamdenBoss.com WEB: www.CamdenBoss.com				UNLESS OTHERWISE SPECIFIED: DIMENSIONS ARE IN MILLIMETERS		DO NOT SCALE DRAWING		REVISION. 0		
				FINISH. SMOOTH		TITLE: ASSEMBLY DRG FOR 2000/10				
DRAWN S.HARDINGE		SIGNED SJH		DATE 30/09/05		MATERIAL. ABS		DWG NO. 2000,10		A4
CHK'D D.SAMLLEY		DS		28/11/05		PROJECTION. 		SCALE: 1 : 2		SHEET 1 OF 1