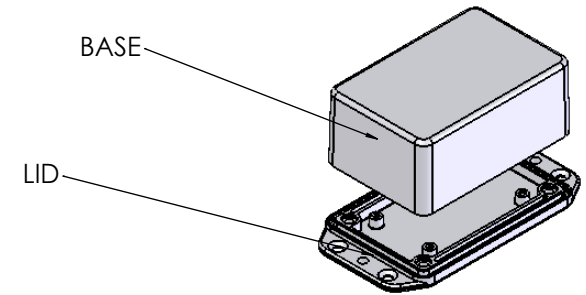


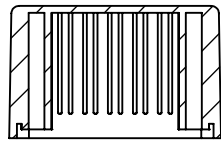
OVERALL ASSEMBLY DIMENSIONS:

EXTERNAL - 108 x 58 x 39.5

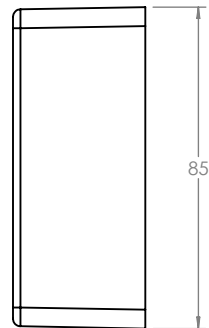
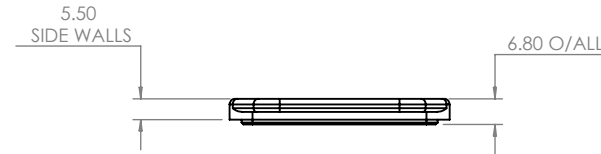
INTERNAL - 81.4 x 52.4 x 34.5



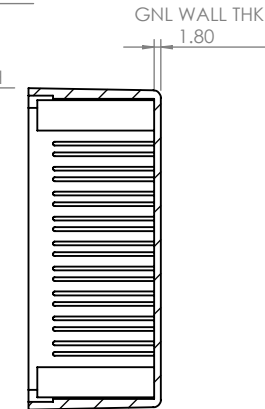
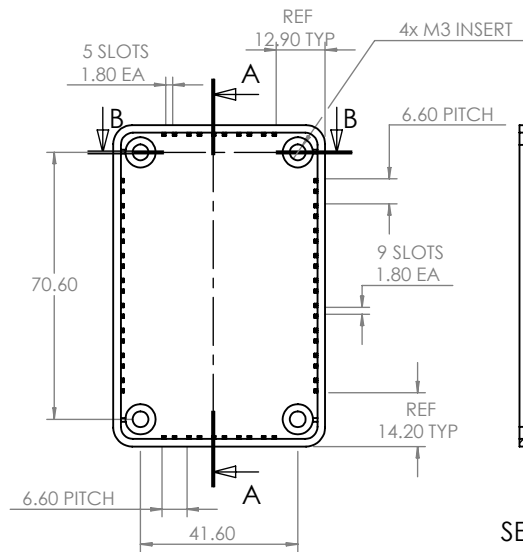
ISO VIEW
1:3



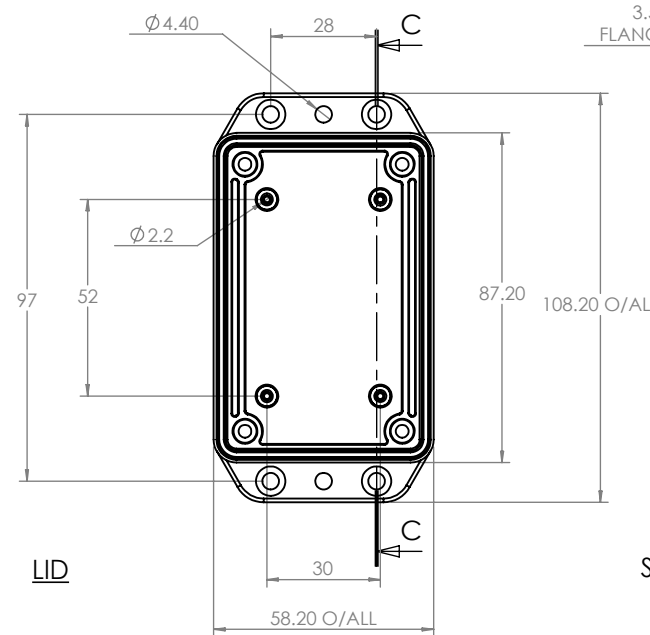
SECTION B-B



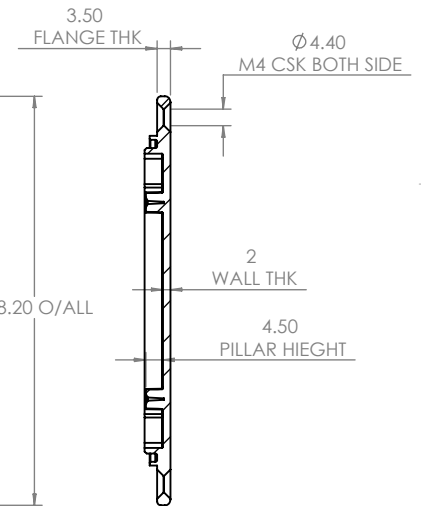
BASE




SECTION A-A



LID



SECTION C-C

 CAMDENBOSS JAMES CARTER RD, MILDENHALL, SUFFOLK. IP28 7DE TEL: 01638 716101 FAX: 01638 716554 EMAIL: Sales@CamdenBoss.com WEB: www.CamdenBoss.com		UNLESS OTHERWISE SPECIFIED: DIMENSIONS ARE IN MILLIMETERS		DO NOT SCALE DRAWING	REVISION. 0
		FINISH. SMOOTH		TITLE: GNL ASSY DRG FOR IP 2000-SERIES ENCLOSURE	
DRAWN	S.HARDINGE	SIGNED	SJH	DATE	30/09/05
CHKD	-	-	-	-	-
MATERIAL. ABS		DWG NO. 2001-IP		A4	
PROJECTION.		SCALE: 1 : 2		SHEET 1 OF 1	