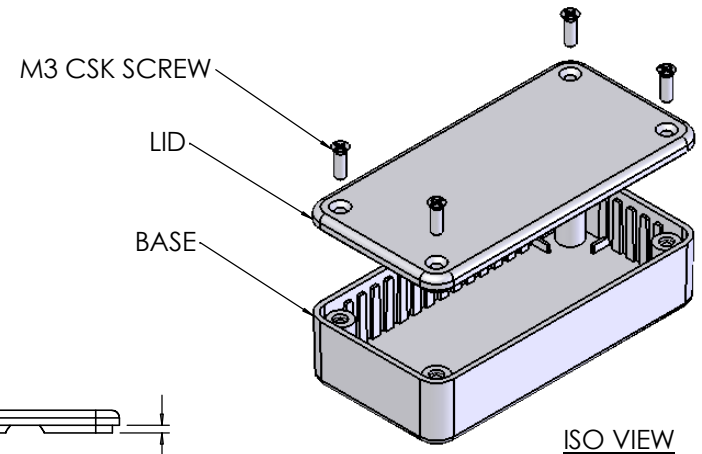


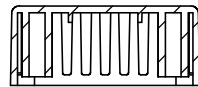
OVERALL ASSEMBLY DIMENSIONS:

EXTERNAL - 100 x 50 x 25

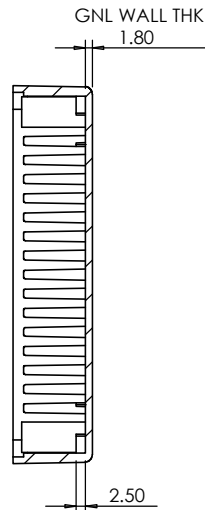
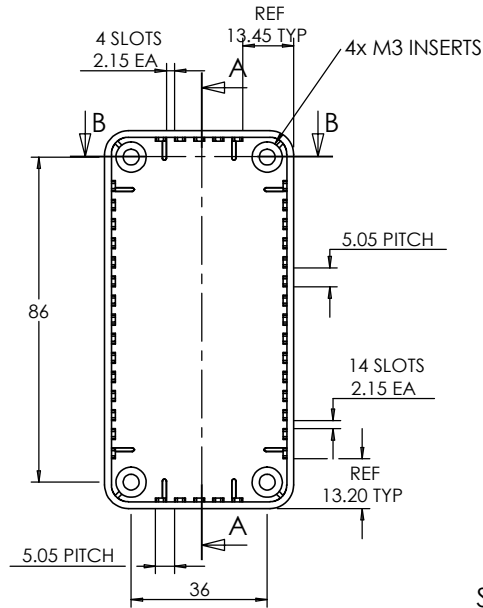
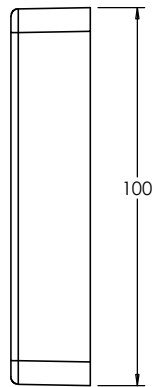
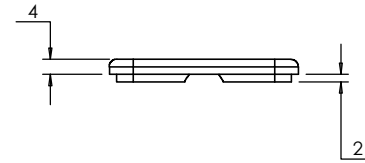
INTERNAL - 96.4 x 46.4 x 21.4



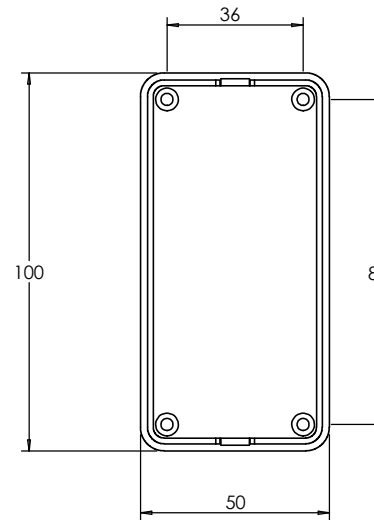
ISO VIEW



SECTION B-B

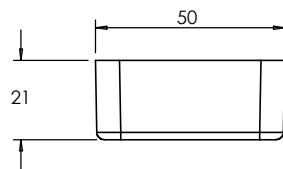



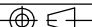
SECTION A-A



LID

BASE



| | | | | | | | | | | |
|---------------------------------------------------------------------------------------------------------------------------------------------------------------------------------------------------------------------------------------------------------------|--|---------------|--|--------------------------------------------------------------|--|---------------------------------------------------------------------------------------------------|--|---------------------------|--|--------------|
|  CAMDENBOSS JAMES CARTER RD, MILDENHALL, SUFFOLK. IP28 7DE TEL: 01638 716101 FAX: 01638 716554 EMAIL: Sales@CamdenBoss.com WEB: www.CamdenBoss.com | | | | UNLESS OTHERWISE SPECIFIED: DIMENSIONS ARE IN MILLIMETERS | | DO NOT SCALE DRAWING | | REVISION. 0 | | |
| | | | | FINISH. SMOOTH | | TITLE: ASSEMBLY DRG FOR 2002/12 | | | | |
| DRAWN S.HARDINGE | | SIGNED SJH | | DATE 04/10/05 | | MATERIAL. ABS | | DWG NO. 2002,12 | | A4 |
| CHK'D - | | - | | - | | PROJECTION.  | | SCALE: 1 : 2 | | SHEET 1 OF 1 |