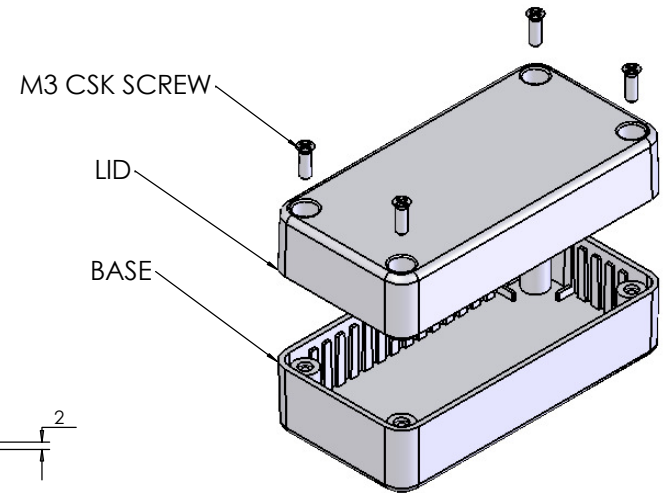


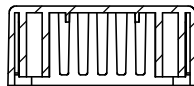
OVERALL ASSEMBLY DIMENSIONS:

EXTERNAL - 100 x 50 x 40

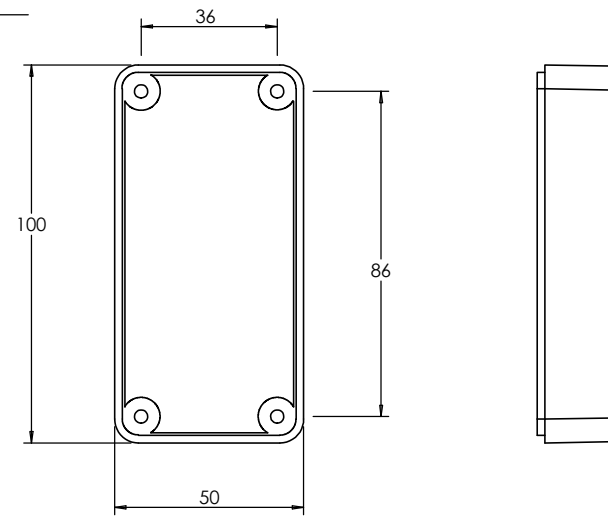
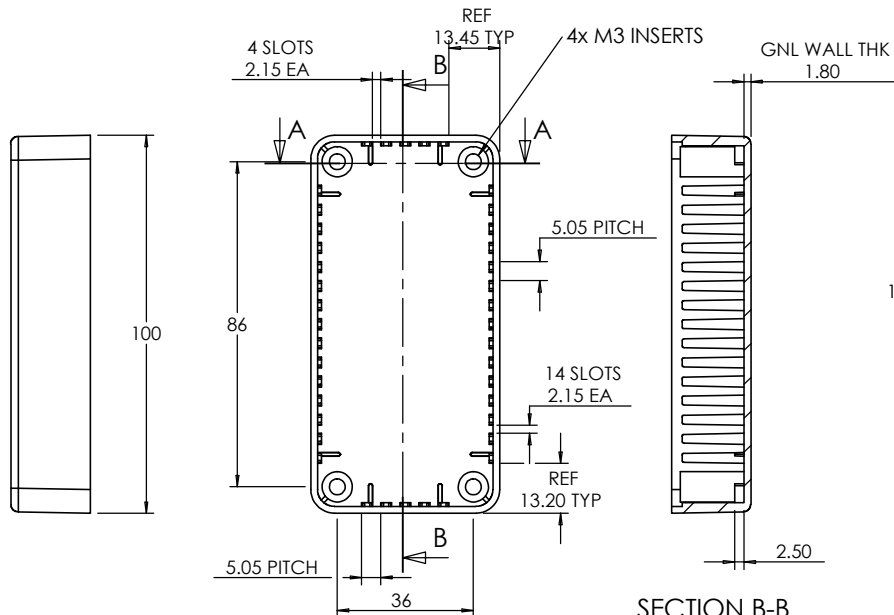
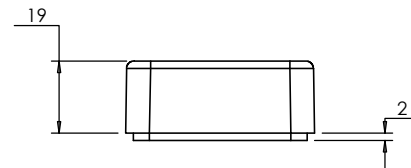
INTERNAL - 96.4 x 46.4 x 36.4



ISO VIEW

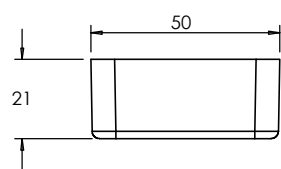



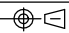
SECTION A-A



LID

BASE



 <b>CAMDENBOSS</b> JAMES CARTER RD, MILDENHALL, SUFFOLK. IP28 7DE TEL: 01638 716101 FAX: 01638 716554 EMAIL: Sales@CamdenBoss.com WEB: www.CamdenBoss.com		UNLESS OTHERWISE SPECIFIED: DIMENSIONS ARE IN MILLIMETERS		DO NOT SCALE DRAWING	REVISION. 0
		FINISH. <b>SMOOTH</b>		TITLE: <b>ASSEMBLY DRG FOR 2002/22</b>	
MATERIAL. <b>ABS</b>		DWG NO. <b>2002,22</b>		A4	
DRAWN S.HARDINGE	SIGNED SJH	DATE 03/10/05	PROJECTION. 	SCALE: 1 : 2	SHEET 1 OF 1