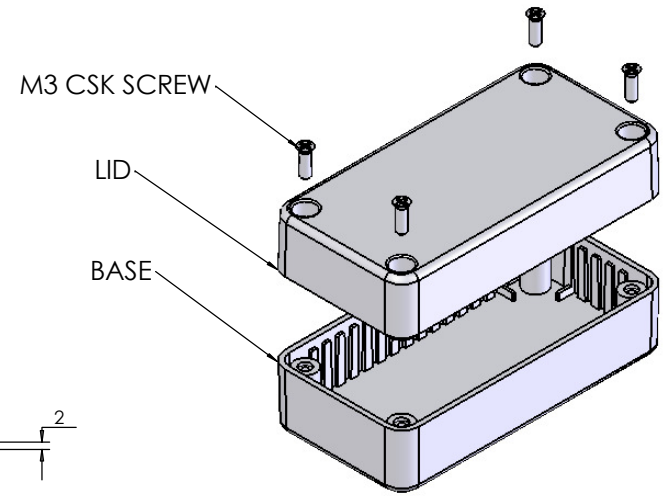


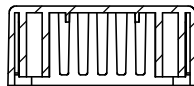
OVERALL ASSEMBLY DIMENSIONS:

EXTERNAL - 100 x 50 x 40

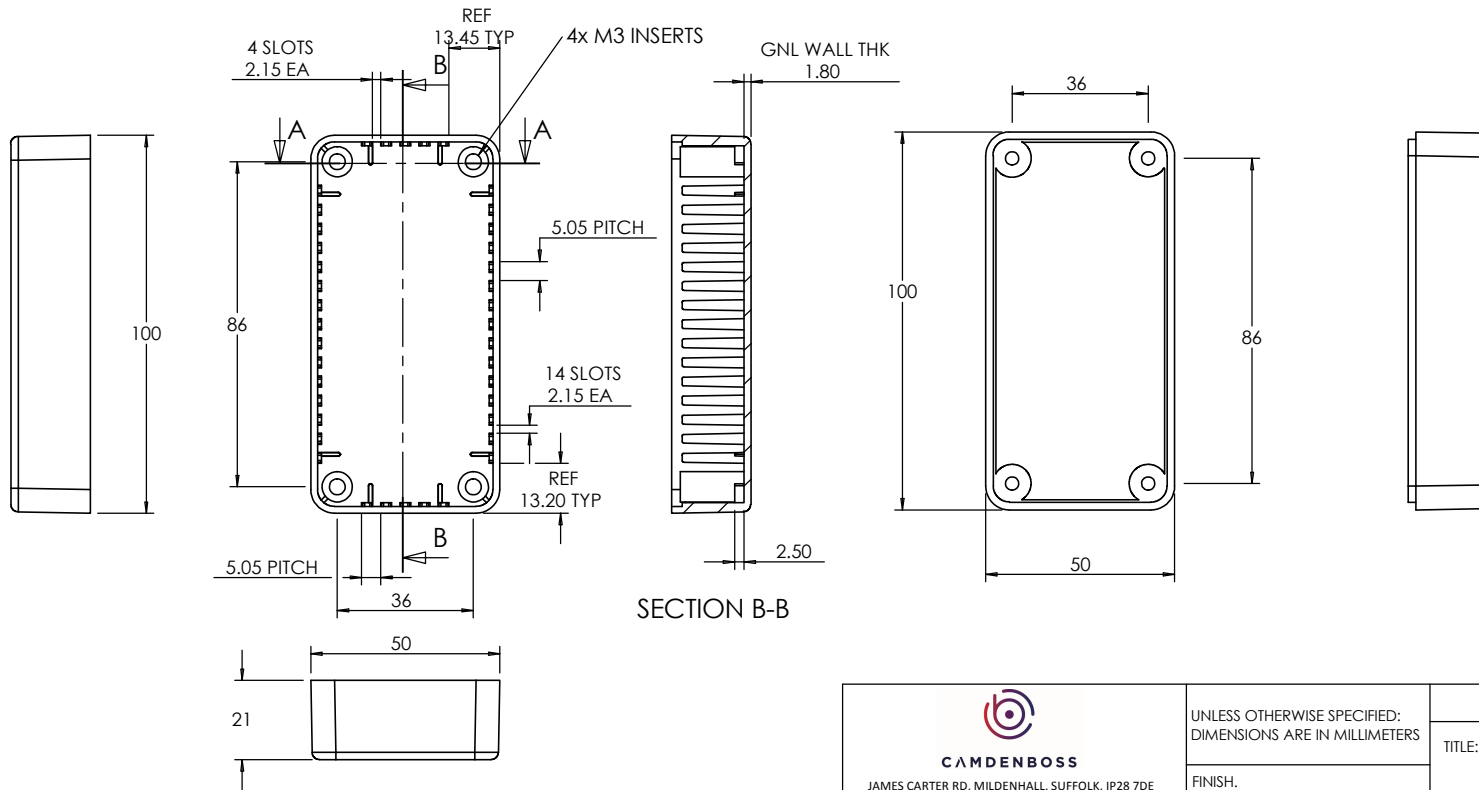
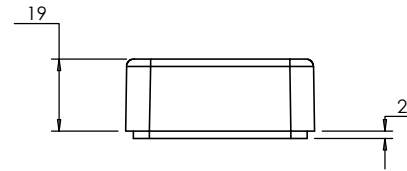
INTERNAL - 96.4 x 46.4 x 36.4



ISO VIEW




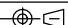
SECTION A-A



BASE

LID

SECTION B-B

 CAMDENBOSS JAMES CARTER RD, MILDENHALL, SUFFOLK. IP28 7DE TEL: 01638 716101 FAX: 01638 716554 EMAIL: Sales@CamdenBoss.com WEB: www.CamdenBoss.com				UNLESS OTHERWISE SPECIFIED: DIMENSIONS ARE IN MILLIMETERS		DO NOT SCALE DRAWING		REVISION. 0	
				FINISH. SMOOTH		TITLE: ASSEMBLY DRG FOR 2002/22			
DRAWN S.HARDINGE		SIGNED SJH		DATE 03/10/05		MATERIAL. ABS		DWG NO. 2002,22	
CHK'D -		-		-		PROJECTION. 		SCALE. 1 : 2	
								SHEET 1 OF 1	

A4