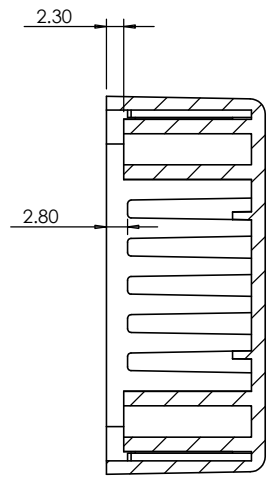
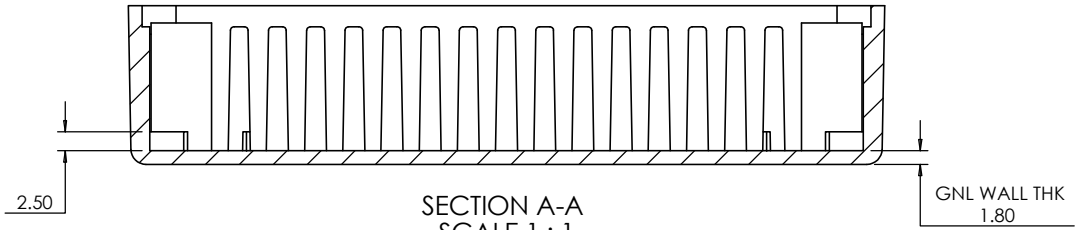


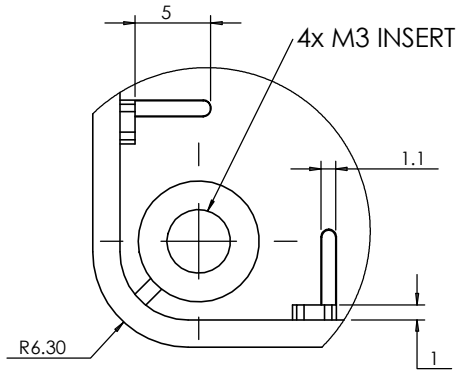
ISO VIEW
1:2




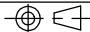
SECTION B-B
SCALE 1:1



SECTION A-A
SCALE 1:1



DETAIL C
SCALE 2:1

 CAMDENBOSS JAMES CARTER RD, MILDENHALL, SUFFOLK. IP28 7DE TEL: 01638 716101 FAX: 01638 716554 EMAIL: Sales@CamdenBoss.com WEB: www.CamdenBoss.com				UNLESS OTHERWISE SPECIFIED: DIMENSIONS ARE IN MILLIMETERS		DO NOT SCALE DRAWING		REVISION. 0		
				FINISH. SMOOTH		TITLE: DRG FOR 2002 BOX				
DRAWN S.HARDINGE		SIGNED SJH		DATE 03/10/05		MATERIAL. ABS		DWG NO. 2002 Box		A4
CHK'D -		-		-		PROJECTION. 		SCALE: 1:2		SHEET 1 OF 1