

OVERALL ASSEMBLY DIMENSIONS:

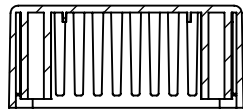
EXTERNAL - 112 x 62 x 31  
 INTERNAL - 108.4 x 58.4 x 27.4

M3 CSK SCREW

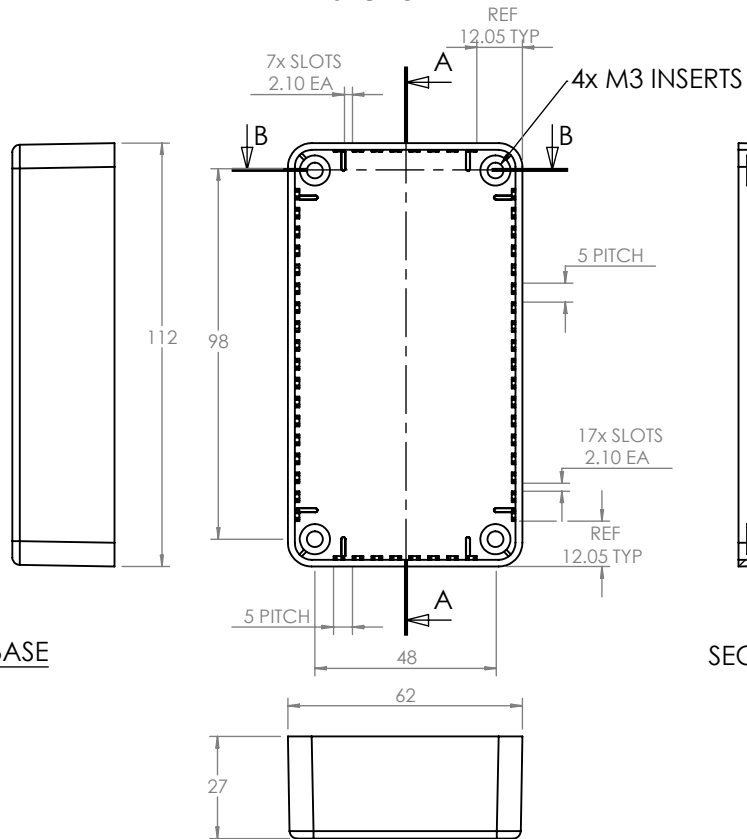
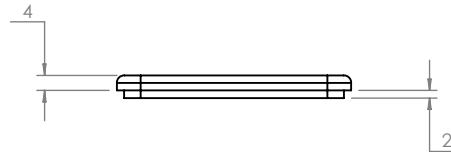
LID

BASE

ISO VIEW

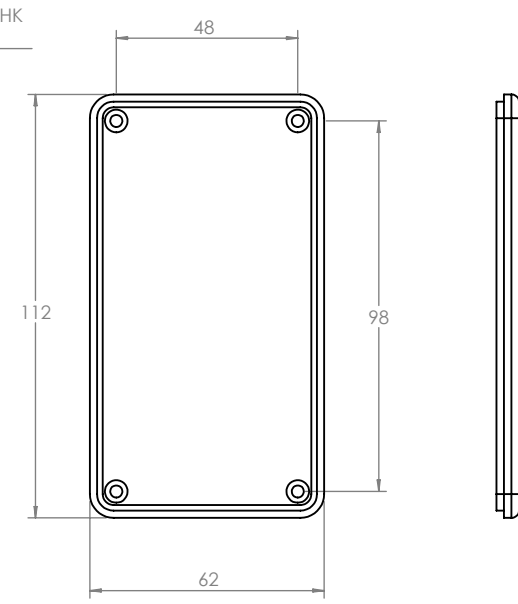


SECTION B-B





GNL WALL THK  
1.80

SECTION A-A



LID

BASE

 <b>CAMDENBOSS</b> JAMES CARTER RD, MILDENHALL, SUFFOLK. IP28 7DE TEL: 01638 716101 FAX: 01638 716554 EMAIL: Sales@CamdenBoss.com WEB: www.CamdenBoss.com				UNLESS OTHERWISE SPECIFIED: DIMENSIONS ARE IN MILLIMETERS		DO NOT SCALE DRAWING	REVISION. 0
				FINISH. <b>SMOOTH</b>		TITLE: <b>ASSEMBLY DRG FOR 2003,13</b>	
DRAWN	S.HARDINGE	SJH	04/10/05	MATERIAL. <b>ABS</b>	DWG NO.	<b>2003,13</b>	A4
CHKD	-	-	-	PROJECTION. 	SCALE: 1 : 2	SHEET 1 OF 1	