

OVERALL ASSEMBLY DIMENSIONS:

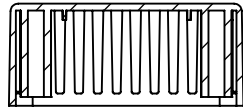
EXTERNAL - 112 x 62 x 31  
INTERNAL - 108.4 x 58.4 x 27.4

M3 CSK SCREW

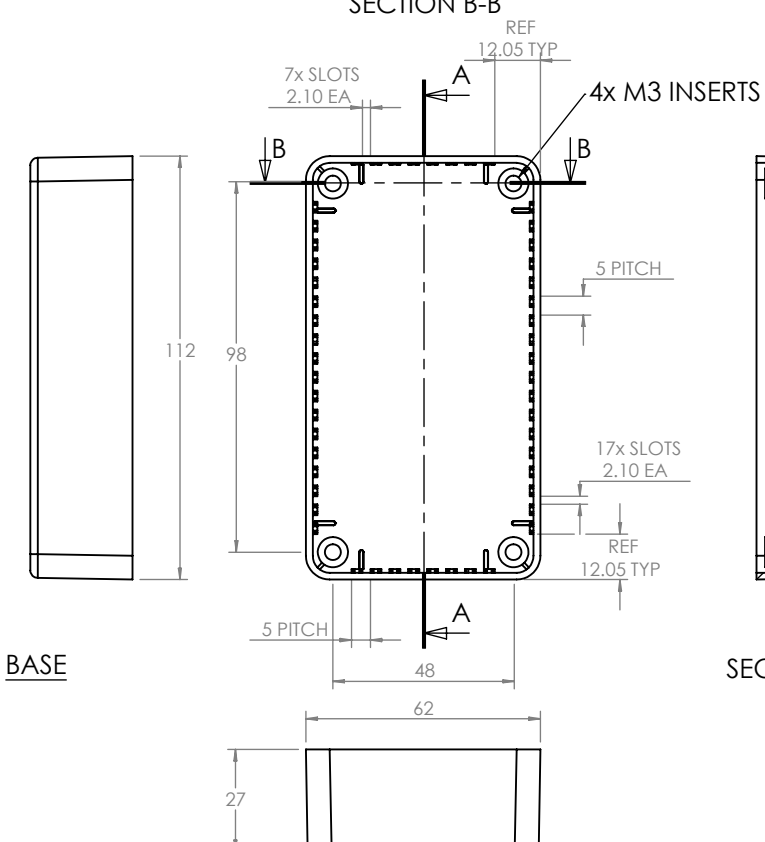
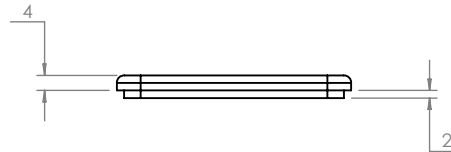
LID

BASE

ISO VIEW

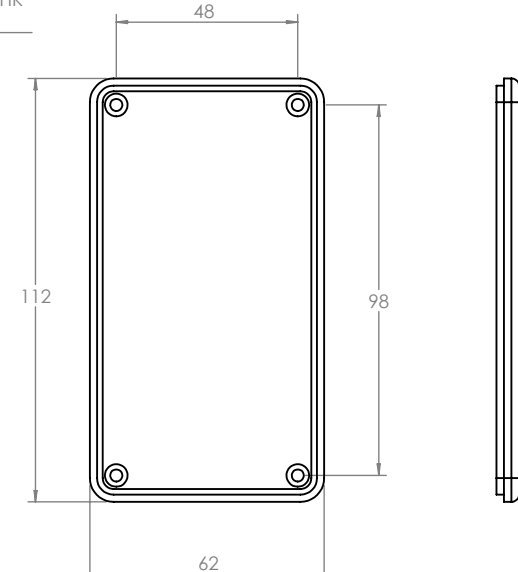


SECTION B-B





GNL WALL THK  
1.80

SECTION A-A



LID

BASE

 <b>CAMDENBOSS</b> JAMES CARTER RD, MILDENHALL, SUFFOLK. IP28 7DE TEL: 01638 716101 FAX: 01638 716554 EMAIL: Sales@CamdenBoss.com WEB: www.CamdenBoss.com				UNLESS OTHERWISE SPECIFIED: DIMENSIONS ARE IN MILLIMETERS		DO NOT SCALE DRAWING		REVISION. O		
				FINISH. <b>SMOOTH</b>		TITLE: <b>ASSEMBLY DRG FOR 2003,13</b>				
DRAWN S.HARDINGE		SIGNED SJH		DATE 04/10/05		MATERIAL. <b>ABS</b>		DWG NO. <b>2003,13</b>		A4
CHKD -		-		-		PROJECTION. 		SCALE: 1 : 2		SHEET 1 OF 1