

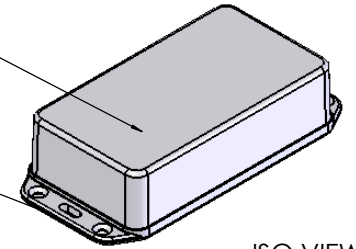
OVERALL ASSEMBLY DIMENSIONS:

EXTERNAL - 136 x 64.6 x 31.5

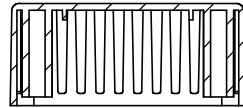
INTERNAL 108.4 x 58.4 x 27.4

BASE

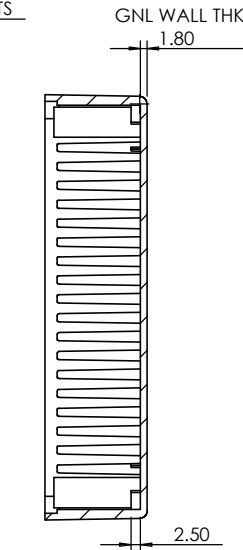
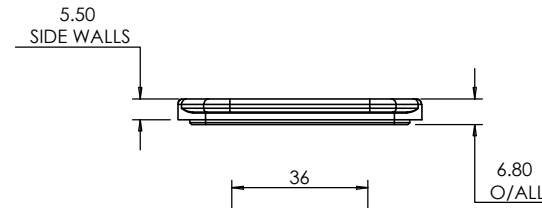
LID



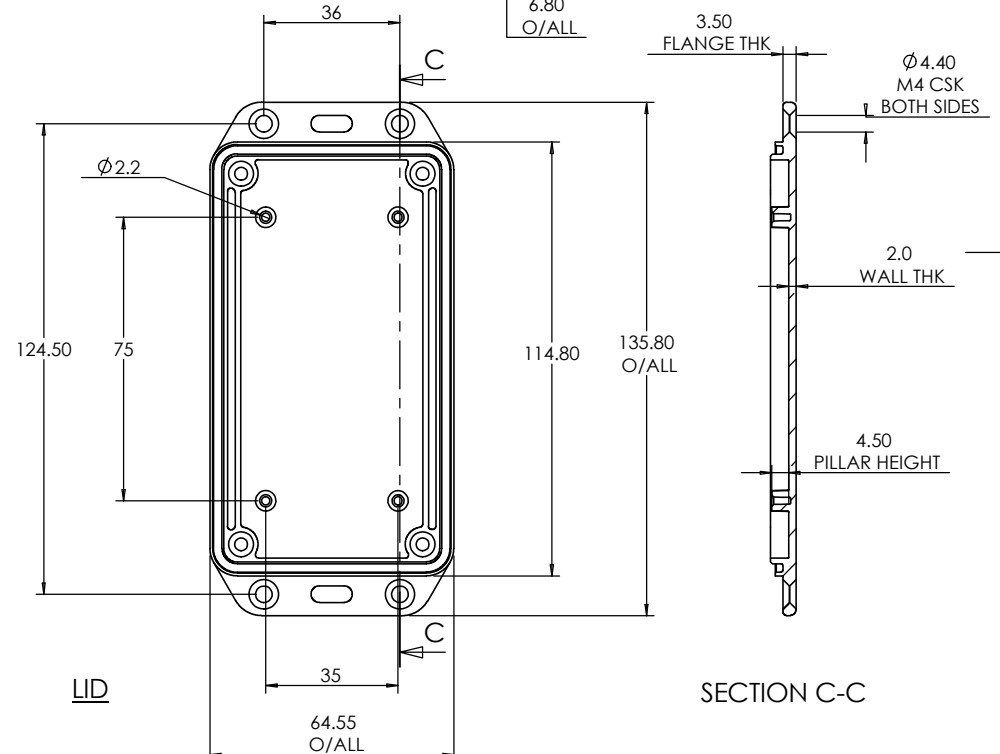
ISO VIEW
1:3



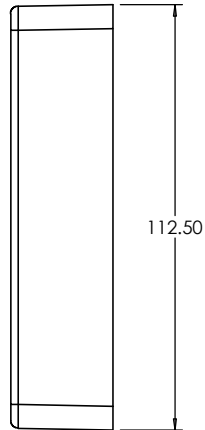
SECTION B-B



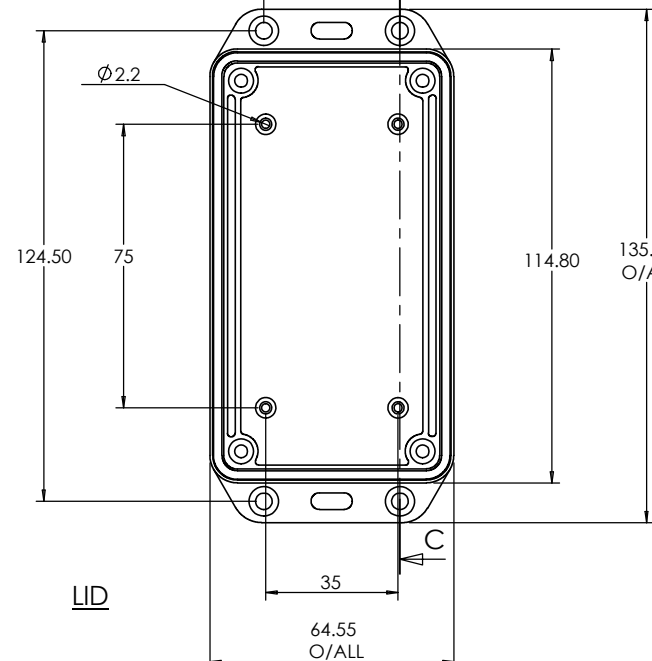
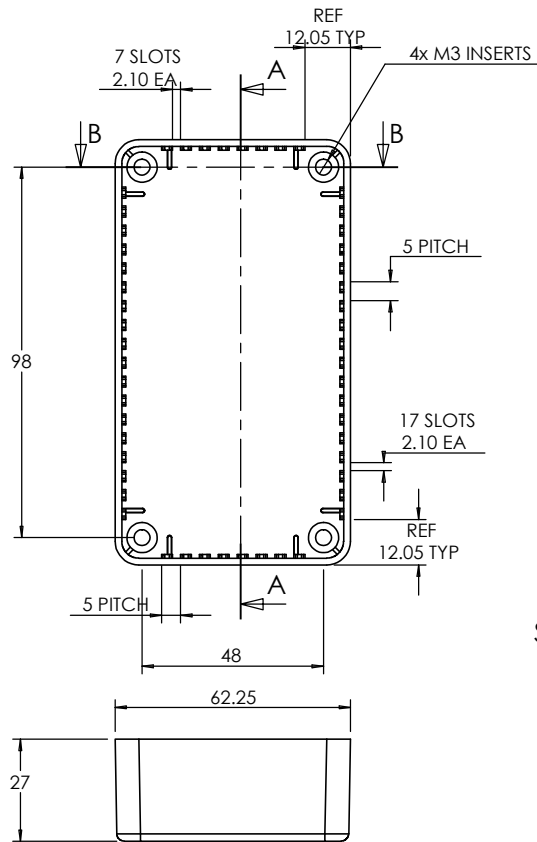
SECTION A-A



SECTION C-C



BASE



LID

<p>CAMDENBOSS JAMES CARTER RD, MILDENHALL, SUFFOLK. IP28 7DE TEL: 01638 716101 FAX: 01638 716554 EMAIL: Sales@CamdenBoss.com WEB: www.CamdenBoss.com</p>			UNLESS OTHERWISE SPECIFIED: DIMENSIONS ARE IN MILLIMETERS		DO NOT SCALE DRAWING		REVISION. 0		
			FINISH. SMOOTH		TITLE: GNL ASSY DRG FOR IP 2000-SERIES ENCLOSURE				
DRAWN SUBKHANKULOVA		SIGNED LS	DATE 27/02/09	MATERIAL. ABS		DWG NO. 2003-IP		A4	
CHK'D -		-	-	PROJECTION.		SCALE. 1:2		SHEET 1 OF 1	