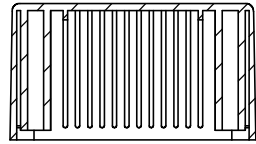


OVERALL ASSEMBLY DIMENSIONS:

EXTERNAL - 120 x 65 x 40

INTERNAL - 116.4 x 61.4 x 36.2



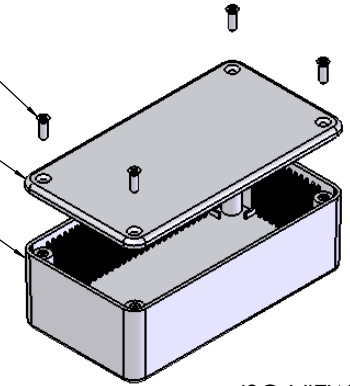
SECTION A-A



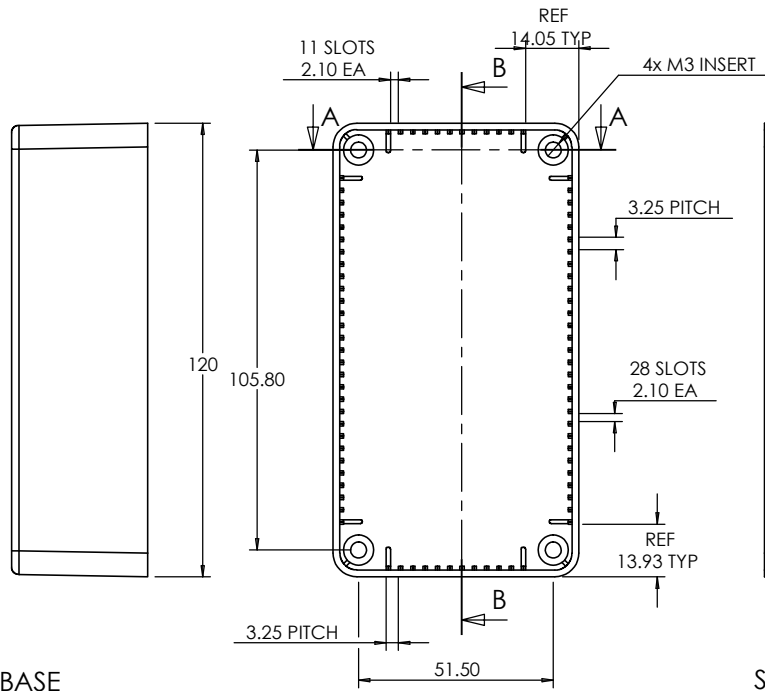
M3 CSK SCREW

LID

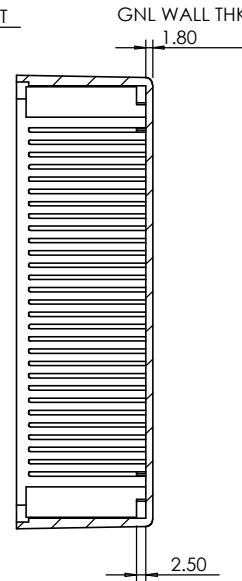
BASE



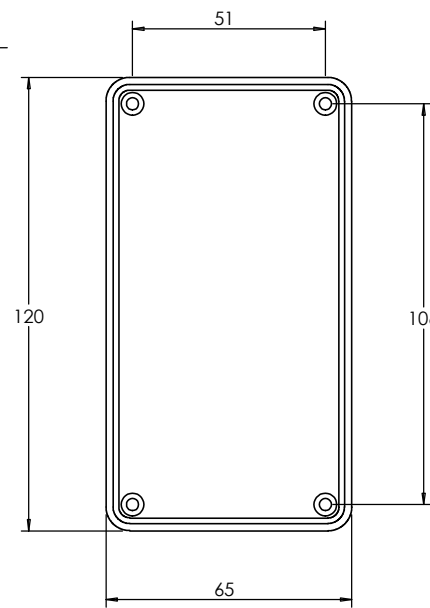
ISO VIEW  
1:3



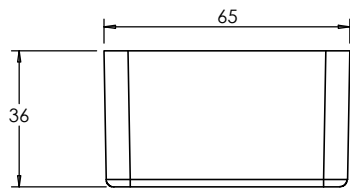
BASE


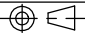


SECTION B-B



LID



 <b>CAMDENBOSS</b> JAMES CARTER RD, MILDENHALL, SUFFOLK. IP28 7DE TEL: 01638 716101 FAX: 01638 716554 EMAIL: Sales@CamdenBoss.com WEB: www.CamdenBoss.com				UNLESS OTHERWISE SPECIFIED: DIMENSIONS ARE IN MILLIMETERS		DO NOT SCALE DRAWING		REVISION: 0	
				FINISH: <b>SMOOTH</b>		TITLE: <b>ASSEMBLY DRG FOR 2004/14</b>			
DRAWN S.HARDINGE		SIGNED SJH		DATE 06/10/05		MATERIAL: <b>ABS</b>		DWG NO. <b>2004,14</b>	
CHK'D -		-		-		PROJECTION: 		SCALE: 1:2	
								SHEET 1 OF 1	

A4