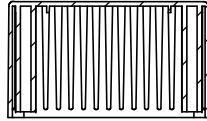


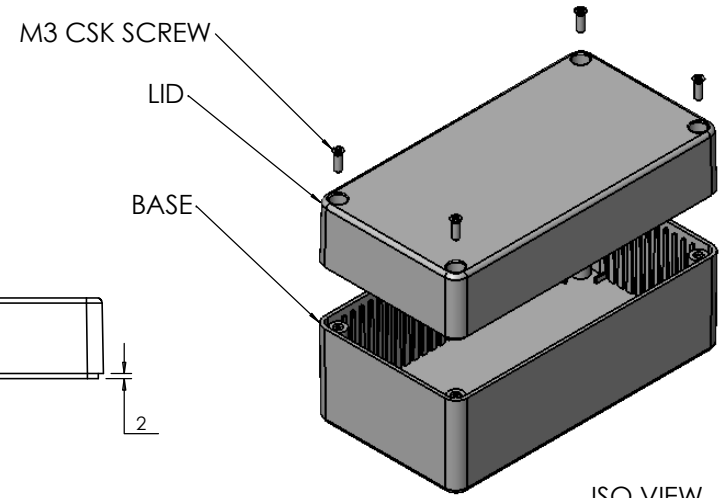
OVERALL ASSEMBLY DIMENSIONS:

EXTERNAL - 150 x 80 x 76

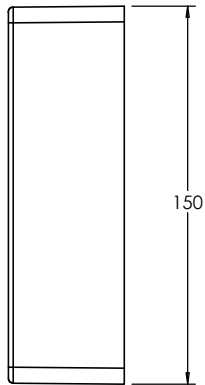
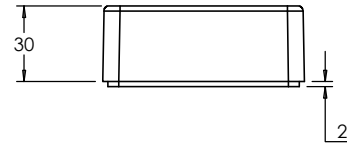
INTERNAL - 146.4 x 76.4 x 72.4



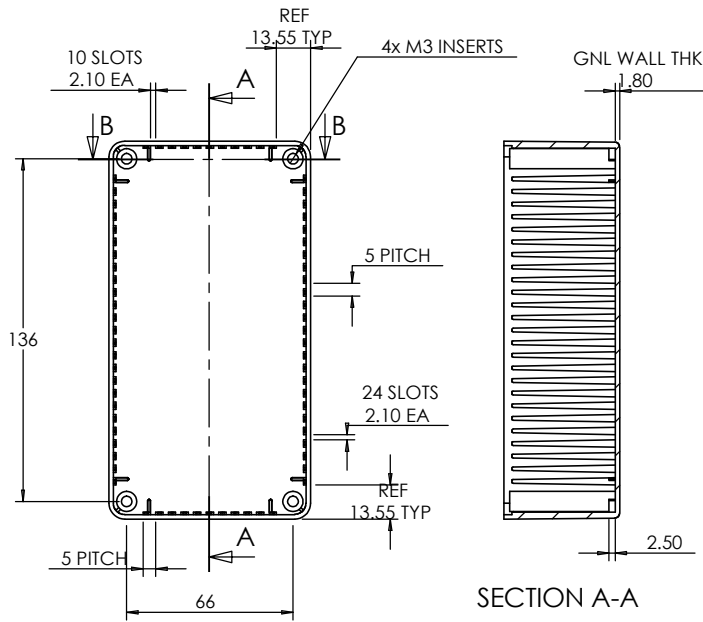
SECTION B-B



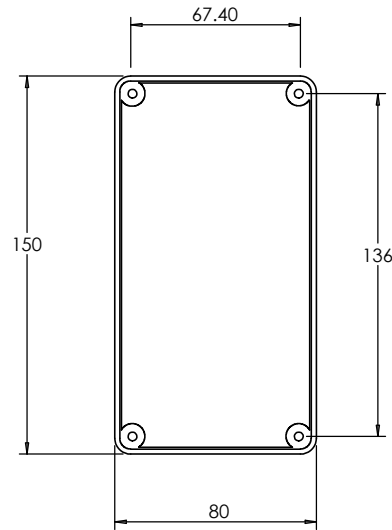
ISO VIEW



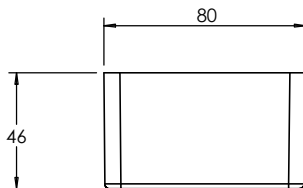
BASE


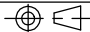


SECTION A-A



LID



 <b>CAMDENBOSS</b> JAMES CARTER RD, MILDENHALL, SUFFOLK. IP28 7DE TEL: 01638 716101 FAX: 01638 716554 EMAIL: Sales@CamdenBoss.com WEB: www.CamdenBoss.com				UNLESS OTHERWISE SPECIFIED: DIMENSIONS ARE IN MILLIMETERS		DO NOT SCALE DRAWING		REVISION. 0		
				FINISH. <b>SMOOTH</b>		TITLE: <b>ASSEMBLY DRG FOR 2005,25</b>				
DRAWN S.HARDINGE		SIGNED SJH		DATE 05/10/05		MATERIAL. <b>ABS</b>		DWG NO. <b>2005,25</b>		A4
CHK'D -		-		-		PROJECTION. 		SCALE: 1 : 3		SHEET 1 OF 1