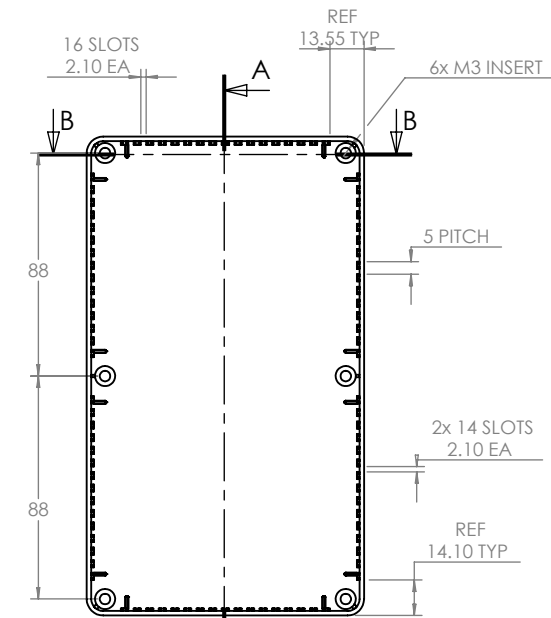
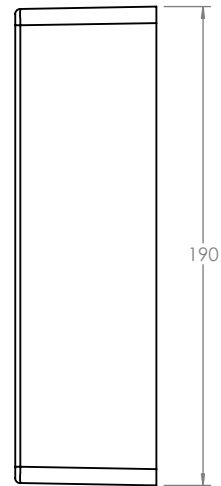
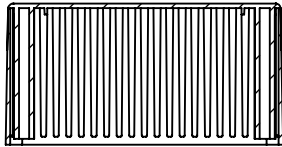


OVERALL ASSEMBLY DIMENSIONS:

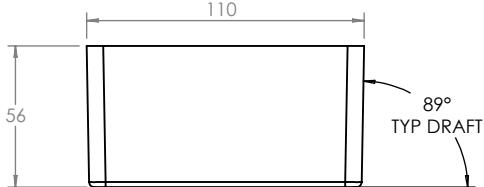
EXTERNAL - 190 x 110 x 60

INTERNAL - 186.4 x 106.4 x 56.4

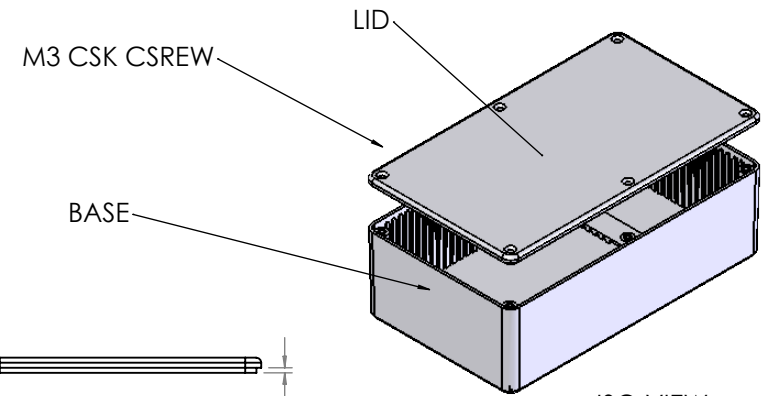
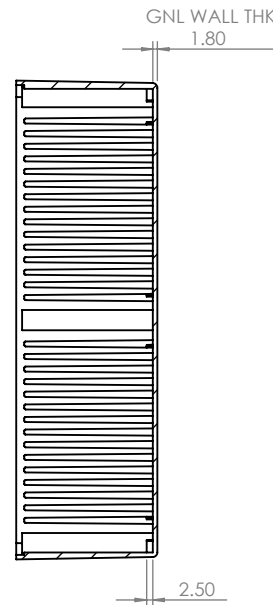
SECTION B-B



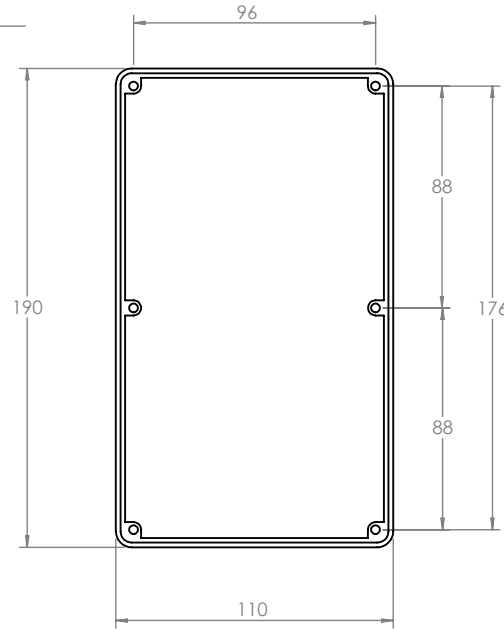
BASE





SECTION A-A



ISO VIEW  
1:4



LID

 <b>CAMDENBOSS</b> JAMES CARTER RD, MILDENHALL, SUFFOLK. IP28 7DE TEL: 01638 716101 FAX: 01638 716554 EMAIL: Sales@CamdenBoss.com WEB: www.CamdenBoss.com				UNLESS OTHERWISE SPECIFIED: DIMENSIONS ARE IN MILLIMETERS		DO NOT SCALE DRAWING		REVISION. 0		
				FINISH. <b>SMOOTH</b>		TITLE: <b>GENERAL DIMENSION DRAWING FOR BIM 2006</b>				
DRAWN IAN PAGANO		SIGNED I.P.		DATE 06/03/14		MATERIAL. <b>ABS</b>		DWG NO. <b>2006,16</b>		A4
CHKD -		-		-		PROJECTION. 		SCALE: 1 : 2		SHEET 1 OF 1